

博奥泵业

纸浆泵系列说明书



河南博奥泵业有限公司
HENAN BOAO PUMP INDUSTRY CO.,LTD



Brief 公司简介 introduction

河南博奥泵业有限公司是生产“苏奥”牌系列纸浆泵、低脉冲泵、工艺流程泵、渣浆泵、压滤机加压泵、两相流泵，并率先通过ISO9001-2000国际质量体系认证的专业厂家。公司位于郑州市上街区阀门产业园锦江南路13号，占地3万多平方米，毗邻310国道、陇海铁路和连霍高速，地理环境优美，交通运输十分便捷。

三十年来，公司一贯秉承“创新、奋进、求实、高效”的经营理念，培养、造就了一支高素质、高水平的员工队伍。公司技术力量雄厚，加工设备先进，制造工艺精湛，检测设备齐全，管理体系完善。同时公司不断追求科技进步，长期同国内知名院校密切合作，不断引进吸收国内外先进的设计原理，以超前的科学理念，采用CAD计算机软件辅助设计，成功研制开发了具有国际水平的系列化“苏奥”牌浆泵。产品已达八大系列，700多种规格型号，广泛应用于铝工业流程、矿山、洗煤、烟气脱硫、水力疏浚、制浆、造纸等行业。并获得多项国家专利；同时为适应市场需求，2011年公司自主研发出SAKZ型宽流道纸浆专用泵，于2012年投放市场，备受用户青睐，产品畅销国内外。相继被国家高新企业组织研究室授予“企业科技成果自主创新优秀奖”和河南省委宣传部颁发的“河南省质量无投诉双优单位”等荣誉称号。

博奥公司将继续走科技创新之路，努力打造“苏奥”品牌，走向世界，服务客户，回报社会，共铸辉煌。

THE DEVELOPMENT OF ENTERPRISES

企业发展的原动力



Henan Boao Pump Co., Ltd specialize in the production of Suao Brand pumps such as pulp pump, low pulse pump, process flow pump, slurry pump, filter press-based pressure pump, two-phase flow pump and so on, and it takes the leading to pass ISO9001-2000 international quality system certification. It is located at No.13, Jinjiang South Road, Shangjie District Valve Industrial Park, Zhengzhou, covering an area of over 30000 square meters, neighboring 310 national way, Longhai Railway and Lianhuo Expressway, the geographical environment is beautiful and the traffic is very convenient.

In the past 30 years, the company has been insisting on the operation concept "Innovation, Struggle, Practical and Efficient" and created a high quality and high level employee team. It owns strong technical strength, advanced process equipment, as well as advanced technique, complete testing instruments and perfect management systems. In addition, the company aims at technical progress and establishes close cooperation with famous universities and colleges at home and abroad, and continuously introduce and absorb internationally advanced design principle, based on the leading scientific concept and CAD-based design, it has successfully developed a series of Suao Brand pumps at international level. The products have eight series and over 700 specifications, which are widely used in aluminum industrial flow, mining, coal washing, flue gas desulfurization, hydraulic dredging, pulp making and paper making, etc. The company has obtained a number of national patents, meanwhile, in order to meet the market demand, the company researched and developed special SAKZ type wide flow pass pulp pump in 2011, which was promoted in 2012 and were popular in clients, and the products have been well sold around the world. The company obtains successively Enterprise Technical Result Innovative Award granted by state high & hi-tech enterprise organization research room and Quality Complaint Free Excellent Unit in Henan granted by Propaganda Department of Henan Province, etc. The company will continue the technical innovation and devote itself to creating the Suao brand, internationalization, client service and contribution to the society and creating a bright future.

荣誉

Our tenet



追求卓越、创新发展、诚信为本、标准管理、优质高效、
 Pursuit of excellence, innovative development, good faith, standard management, quality and efficiency,
 持续改进、顾客满意、是我们始终如一的宗旨。
 continuous improvement, clients' satisfaction, are our permanent tenet.



科技创新与保护
Science and technology innovation and protection



质量保证
Quality assurance



典型业绩 Typical performance

玖龙纸业有限公司	Jiulong Paper Co., Ltd
理文纸业有限公司	Liwen Paper Co., Ltd
漯河银鸽纸业有限公司	Luohe Yinge Paper Co., Ltd
广东东莞市旭丰纸业有限公	Guangdong Dongguan Xufeng Paper Co., Ltd
广东东莞东保纸业有限公	Guangdong Dongguan Dongbao Paper Co., Ltd
广东中山永发纸业有限公	Guangdong Zhongshan Yongfa Paper Co., Ltd
广东东莞市俊业纸业有限公	Guangdong Dongguan Junye Paper Co., Ltd
广东白天鹅纸业有限公	Guangdong White Swan Paper Co., Ltd
广东中顺洁柔纸业有限公	Guangdong Zhongshun Jierou Paper Co., Ltd
广东东莞市达林纸业有限公	Guangdong Dongguan Dalin Paper Co., Ltd
广东东莞市建梓纸业有限公	Guangdong Dongguan Jianhua Paper Co., Ltd
云南建水春秋纸业有限公	Yunnan Jiانشui Chunqiu Paper Co., Ltd
云南汉光纸业有限公	Yunnan Hanguang Paper Co., Ltd
云南李好纸业有限公	Yunnan Lihao Paper Co., Ltd
安徽太和鸿盛纸业有限公	Anhui Taihe Hongsheng Paper Co., Ltd
安徽山鹰纸业有限公	Anhui Shanying Paper Co., Ltd
河北玉田富兴纸业有限公	Hebei Yutian Fuxing Paper Co., Ltd
辽宁铭笙纸业有限公	Liaoning Mingsheng Paper Co., Ltd
辽宁兴东纸业有限公	Liaoning Xingdong Paper Co., Ltd
湖北枝江炬塔纸业有限公	Hubei Zhijiang Jukai Paper Co., Ltd
湖北省大地纸业有限公	Hubei Dadi Paper Co., Ltd
河南省郑州东鑫纸业有限公	Henan Zhengzhou Dongxin Paper Co., Ltd
河南省新密市康华纸业有限公	Henan Xinmi Kanghua Paper Co., Ltd
河南省新密市恒丰纸业有限公	Henan Xinmi Hengfeng Paper Co., Ltd
河南平顶山运发纸业有限公	Henan Pingdingshan Yunfa Paper Co., Ltd
河南新乡华新纸业有限公	Henan Xinxiang Huaxin Paper Co., Ltd
河南宏伟实业(集团)公	Henan Hongwei Industrial (Group) Co., Ltd
河南一林纸业有限公	Henan Yilin Paper Co., Ltd
福建漳州滢源纸业有限公	Fujian Zhangzhou Xiyuan Paper Co., Ltd
福建省晋江优兰发纸业有限公	Fujian Jinjiang Youlanfa Paper Co., Ltd
福建泉州华祥纸业有限公	Fujian Quanzhou Huaxiang Paper Co., Ltd
福建惠州福合纸业有限公	Fujian Huizhou Fuhe Paper Co., Ltd
浙江大丰市洪森纸业有限公	Zhejiang Dafeng Hongsen Paper Co., Ltd
四川眉山阳光纸业有限公	Sichuan Meishan Yangguang Paper Co., Ltd
四川眉山丰泰纸业有限公	Sichuan Meishan Fengtai Paper Co., Ltd
四川宜宾恒达纸业有限公	Sichuan Yibin Hengda Paper Co., Ltd
江西梁氏纸业有限公	Jiangxi Liang's Paper Co., Ltd
湖南岳阳华丰纸业有限公	Hunan Yueyang Huafeng Paper Co., Ltd
湖南浏阳杨家纸业有限公	Hunan Liuyang Yangjia Paper Co., Ltd
吉林钜霖纸业有限公	Jilin Julin Paper Co., Ltd
黑龙江柴河林海纸业有限公	Heilongjiang Chaihe Linhai Paper Co., Ltd
新疆希伯莱纸业有限公	Xinjiang Xibolai Paper Co., Ltd



SAKZ 纸浆泵

SAKZ PULP PUMP



概述

SAKZ 系列纸浆泵是根据我公司三十多年的制泵经验、详细研究并吸收国内外知名厂家纸浆泵的优点、结合国内造纸行业纸浆泵的实际使用情况，自主研制、开发的新一代纸浆泵。

引进国内外最优秀水力模型，采用 CFD 计算流体动力学分析方法，针对性地进行优化分析改进；性能指标全面超越行业水平，达到国际先进水平，最高效率突破 92%。

采用三片、四片或六片敞开式大扭曲叶轮，适当的加宽流道，通过能力更强，适用于输送各种不同的介质——从水到滤液、纸浆到回收纤维以及浓度高达 6% 的机械浆，同时也适用于企业制糖、淀粉加工、化工液体等介质的输送。

根据国内纸浆粗、杂质大、要求耐磨等特点，经过电脑模拟实验，在叶轮后盖板处加了三角形盖板，使泵既有自行轴向推力补偿能力，又具有很好的耐磨性，易于维修。

叶轮前后均设耐磨板，可有效保护泵体和泵盖。

采用单级单吸悬臂结构，泵的进出口与轴在同一垂直平面，泵体上单独铸出支撑脚，直接固定在底座上，泵盖通过螺栓固定在泵体和轴承架之间，在检修时拆除轴承架与泵体之间的连接螺栓，就可以在不拆卸泵进、出口管路情况下，叶轮、后耐磨板、轴封部件和轴承架等可作为一个“推拉部件”进行拆卸或安装。

对大规格的泵，在泵和电机之间加上中间加长联轴节，这样在检修时只要撤除中间联轴节，就可以把传动部分从泵体中拿出，同时也不必移动电机。

旋转方向：从驱动端看，泵的旋转方向为顺时针旋转。

GENERAL

SAKZ series pulp pump is new generation of product researched and developed independently by our company on the basis of over 30 years of pump manufacturing experience, introducing and absorbing advantages of pulp pumps famous at home and abroad as well as consideration of actual operation of pulp pumps of paper making at home.

It introduces the internationally most excellent hydraulic model, adopts CFD flow mechanical analysis, conducts special optimization and improvement, and the performance indices achieve a great jump, reaching internationally advanced level, and the max efficiency exceeds 92%.

It adopts three, four or six opening highly twisted blades, properly widen flow pass with high throughput capacity, which is applicable for conveying various media, from water to filter liquor, pulp to recycled fiber and mechanical pump with thickness of 6%, in addition, it is applicable for conveying media such as sugar making, starch process and chemical liquid.

According to the requirements such as coarse pulp, big impurity and high wear resistance, through computer-based stimulation tests, a triangular cover plate is designed on the back cover plate of impeller, which makes the pump have axial thrust compensation, high wear resistance and easy for maintenance.

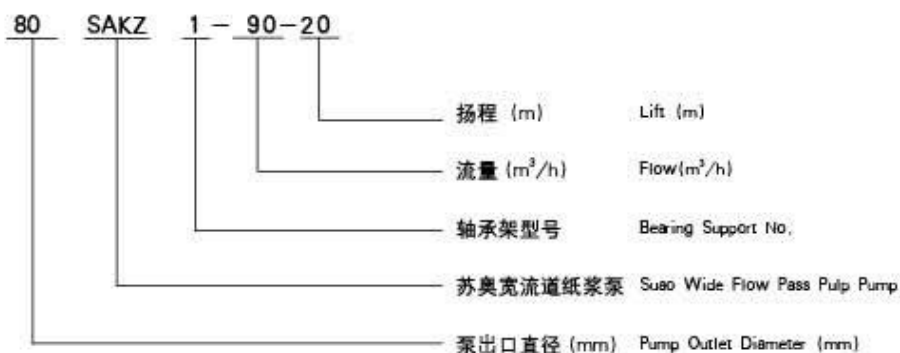
Wear-resisting plates are designed before and after the impeller to well protect the pump body and cover.

It adopts one-stage and one suction cantilever construction, the pump inlet and outlet is kept on the same vertical plane. Supporting legs are welded on the pump body to be fixed on the base, the pump cover is fixed between the pump and the bearing seat through bolts. In case of examination or repair, remove the connecting bolts between the bearing seat and the pump body, as such, without removing the inlet and outlet pipes of the pump, the impeller, back wear-resisting plate, shaft seal and bearing support can be taken as a push/draw part for removal and installation.

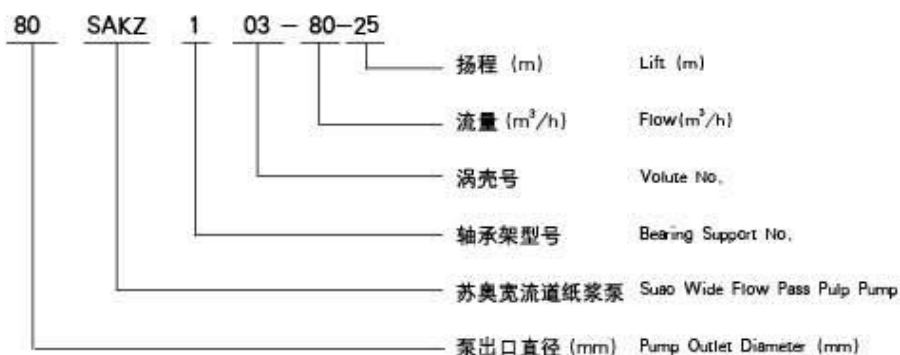
As for high-specification pumps, a prolonged shaft coupling can be added between the pump and the motor, as such, after the shaft coupling is removed before examination and repair, the driving part can be taken out of the pump body without removal of the motor.

Rotation direction: seen from the driving, the pump's rotation direction shall be clockwise.

I 型号说明 TYPE I INDICATION



II 型号说明 TYPE II INDICATION



I 类主要部件材质配备表 Type I main parts material quality arrangement

部件名称 Part	材料类型 Material Type	
	A	B
泵壳 Pump volute	耐磨合金钢 Wear resistance alloy steel	耐磨不锈钢 Wear resistance stainless steel
叶轮 Impeller	耐磨不锈钢 Wear resistance stainless steel	耐磨不锈钢 Wear resistance stainless steel
前耐磨板 Front wear-resisting plate	耐磨不锈钢 Wear resistance stainless steel	耐磨不锈钢 Wear resistance stainless steel
后护板 Back protective plate	耐磨不锈钢 Wear resistance stainless steel	耐磨不锈钢 Wear resistance stainless steel
后泵盖 Back pump cover	耐磨合金钢 Wear resistance alloy steel	耐磨不锈钢 Wear resistance stainless steel
泵轴 Pump shaft	40Cr	40Cr
轴承架 Bearing support	QT500-7	QT500-7

备注：除以上配备材质外，也可根据抽吸的物料选配不同的耐磨、耐腐蚀材质。

Note: Except the above materials, different wear-resistant materials can be selected as per the suction.

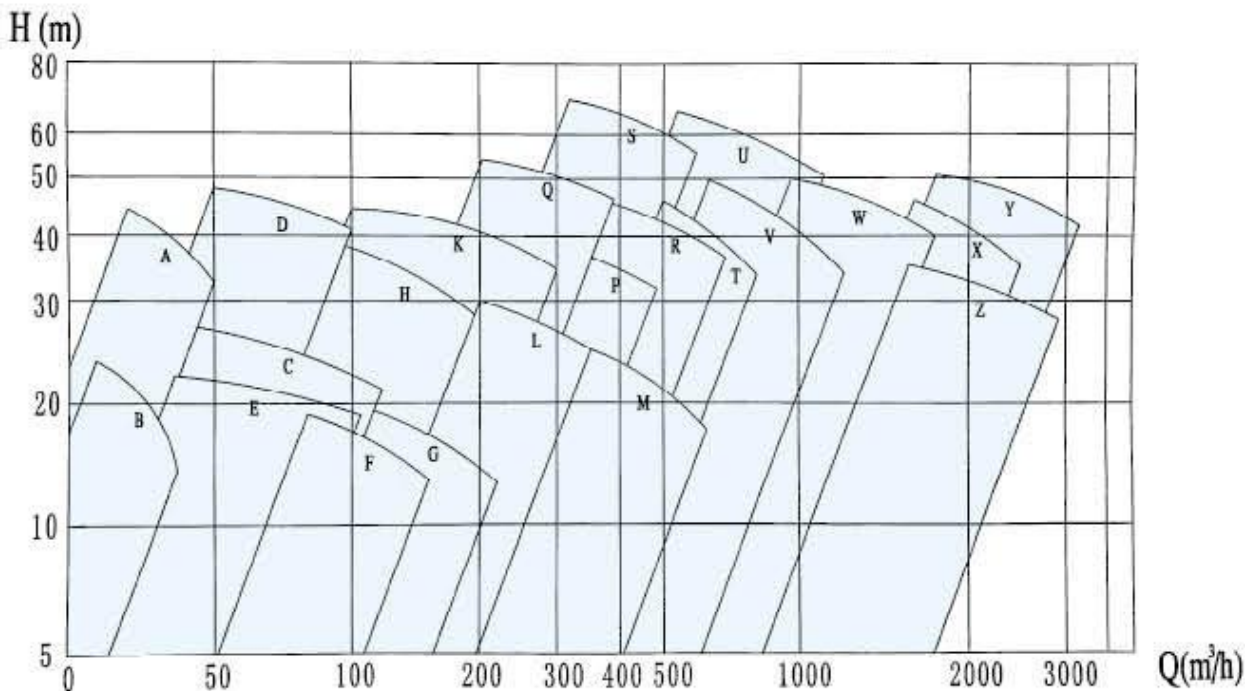
II类主要部件材质配备表 Type II Main parts and material quality

部件名称 Part	材料类型 Material Type	
	A	B
泵壳 Pump volute	耐磨合金钢 Wear resistance alloy steel	耐磨不锈钢 Wear resistance stainless steel
叶轮 Impeller	耐磨不锈钢 Wear resistance stainless steel	耐磨不锈钢 Wear resistance stainless steel
调整盘 Adjusting plate	耐磨不锈钢 Wear resistance stainless steel	耐磨不锈钢 Wear resistance stainless steel
叶轮隔板 Impeller baffle	耐磨合金钢 Wear resistance alloy steel	耐磨不锈钢 Wear resistance stainless steel
后泵盖 Back pump cover	HT	耐磨不锈钢 Wear resistance stainless steel
副叶轮 Associated impeller	耐磨合金钢 Wear resistance alloy steel	耐磨不锈钢 Wear resistance stainless steel
泵轴 Pump shaft	40Cr	40Cr
轴承体 Bearing support	QT500-7	QT500-7

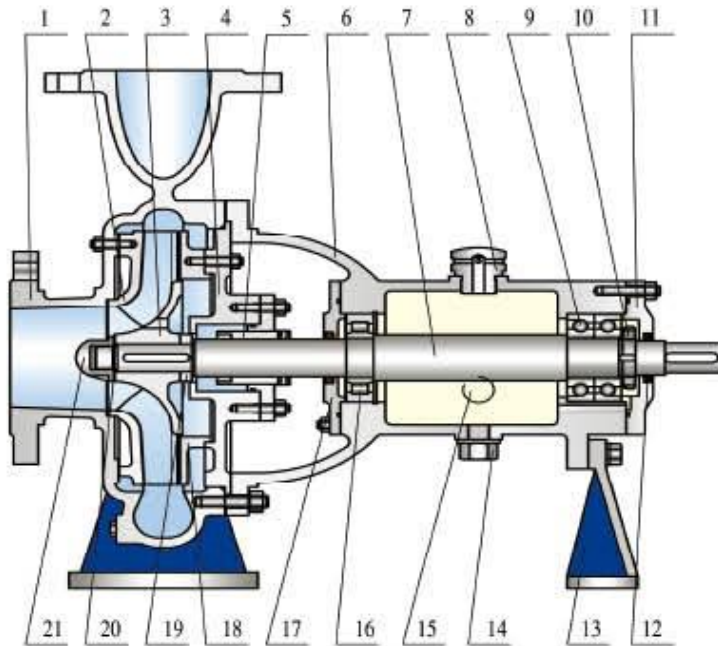
备注：除以上配备材质外，也可根据抽吸的物料选配不同的耐磨、耐腐蚀材质。

Note: Except the above materials, different wear-resistant materials can be selected as per the suction.

SAKZ 纸浆泵运行特性范围图
 Operating charater rang drawing of SAKZ slurry pump



I 类结构图
I Structural Diagram



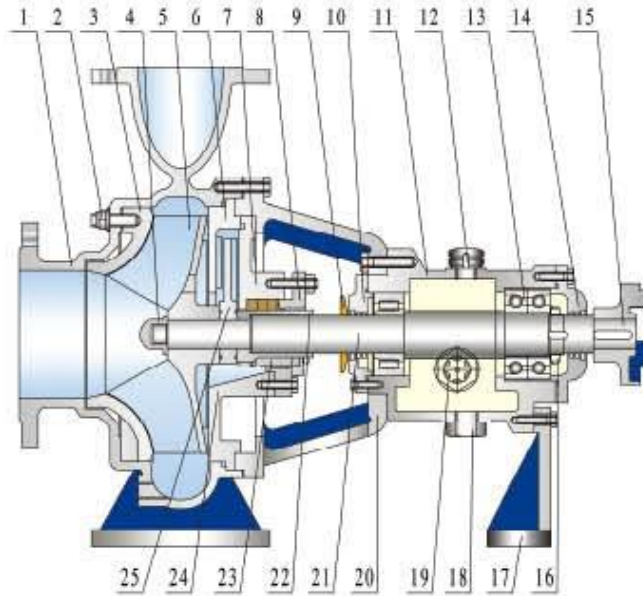
- | | | | |
|----------|-----------|-------------------------------|----------------------------|
| 1. 泵壳 | 12. 骨架油封 | 1. Pump volute | 12. Framework oil seal |
| 2. 前耐磨板 | 13. 支撑架 | 2. Front wear resistant plate | 13. Support frame |
| 3. 叶轮 | 14. 放油螺塞 | 3. Impeller | 14. Oil drain plug |
| 4. 后泵盖 | 15. 油标 | 4. Back pump cover | 15. Oil leveler |
| 5. 机械密封 | 16. 前轴承 | 5. Shaft seal | 16. Front bearing |
| 6. 轴承架 | 17. 前轴承盖 | 6. Bearing support | 17. Front bearing cover |
| 7. 泵轴 | 18. 后护板 | 7. Pump shaft | 18. Back protective plate |
| 8. 透气盖 | 19. 定位环 | 8. Air hole | 19. Locating ring |
| 9. 后轴承 | 20. 叶轮止退垫 | 9. Back bearing | 20. Impeller thrust washer |
| 10. 圆螺母 | 21. 叶轮螺母 | 10. Round nut | 21. Impeller nut |
| 11. 后轴承盖 | | 11. Back bearing cover | |

I 类配用轴承表 Type I Bearings

转子规格 Rotor Spec	泵头端轴承型号 Pump Head Bearing Type	数量 (套) Qty (set)	联轴器端轴承型号 Coupling Bearing Type	数量 (套) Qty (set)
1#	NU308E	1	7308B/DB	2
2#	NU310E	1	7310B/DB	2
3#	NU312E	1	7312B/DB	2
4#	NU316E	1	7316B/DB	2
5#	NU320E	1	7320B/DB	2

II 类结构图

II Structural Diagram



- | | | | |
|----------|-----------|--------------------------|-----------------------------|
| 1. 泵壳 | 14. 后轴承盖 | 1. Pump volute | 14. Back bearing cover |
| 2. 调整螺栓 | 15. 泵侧联轴器 | 2. Adjustable bolt | 15 Pump side coupling |
| 3. 调整盖 | 16. 圆螺母 | 3. Adjustable cover | 16. Round nut |
| 4. 叶轮压帽 | 17. 支撑架 | 4. Impeller pressing cap | 17.Support frame |
| 5. 叶轮 | 18. 放油螺塞 | 5. Impeller | 18. Oil drain plug |
| 6. 叶轮隔板 | 19. 油标 | 6. Impeller baffle plate | 19. Oil leveler |
| 7. 后泵盖 | 20. 中间支架 | 7. Back pump cover | 20. Middle support |
| 8. 填料压盖 | 21. 泵轴 | 8. Packing gland | 21. Pump shaft |
| 9. 甩水环 | 22. 轴套 | 9. Rejection water ring | 22. Shaft sleeve |
| 10. 前轴承盖 | 23. 机械密封 | 10. Front bearing cover | 23. Mechanical seal |
| 11. 轴承体 | 24. 机封腔 | 11. Bearing body | 24. Mechanical seal chamber |
| 12. 透气盖 | 25. 副叶轮 | 12. Vent cap | 25. Associated impeller |
| 13. 轴承 | | 13. Bearing | |

II类配用轴承表 Type II Bearing Sheet

转子规格 Rotor Spec	泵头端轴承型号 Pump Head Bearing Type	数量 (套) Qty (set)	联轴器端轴承型号 Coupling Bearing Type	数量 (套) Qty (set)
1#	NJ2309E	1	7310B/DB	2
2#	NJ2311E	1	7312B/DB	2
3#	NJ2313E	1	7314B/DB	2
4#	NJ2315E	1	7316B/DB	2
5#	NJ2318E	1	7319B/DB	2
6#	NJ2320E	1	7322B/DB	2

性能参数 PERFORMANCE PARAMETERS

类别 Class	序号 No.	规格型号 Specification Type No.	流量 Flow (m ³ /h)	扬程 Lift (m)	转速 Rotating speed (r/min)	NPSHr (m)	效率 Efficiency (%)	配用电机功率 Power of matched electromot (KW)
A	1	50SAKZ101-30-32	30	32	1440	4	55	Y132M-4/7.5
	2	50SAKZ101-30-40	30	40	1460		56	Y160M-4/11
	3	50SAKZ101-30-28	30	28	1440		53	Y132S-4/5.5
B	1	50SAKZ102-25-20	25	20	1420	4	60	Y100L ₂ -4/3
	2	50SAKZ102-22-15	22	15	1420		58	Y100L ₁ -4/2.2
	3	50SAKZ102-30-22	30	22	1440		62	Y112M-4/4
	4	50SAKZ102-30-15	30	15	1420		62	Y100L ₂ -4/3
	5	50SAKZ102-20-10	20	10	940		60	Y100L-6/1.5
C	1	80SAKZ103-80-25	80	25	1440	4	65	Y160M-4/11
	2	80SAKZ103-60-25	60	25	1440		63	Y132M-4/7.5
	3	80SAKZ103-55-20	55	20	1440		62	Y132S-4/5.5
D	1	80SAKZ104-80-45	80	45	1470	4	63	Y180M-4/18.5
	2	80SAKZ104-80-35	80	35	1460		63	Y160L-4/15
	3	80SAKZ104-70-30	70	30	1460		62	Y160M-4/11
	4	80SAKZ104-70-40	70	40	1460		63	Y160L-4/15
	5	80SAKZ104-40-18	40	18	960		62	Y132M ₁ -6/4
E	1	80SAKZ1-90-20	90	20	1450	4	62	Y160M-4/11
	2	80SAKZ1-80-18	80	18	1450		60	Y132M-4/7.5
	3	80SAKZ1-70-15	70	15	1450		60	Y132S-4/5.5
	4	80SAKZ1-60-12	60	12	1450		55	Y112M-4/4
	5	80SAKZ1-50-10	50	10	1450		55	Y100L ₂ -4/3
F	1	100SAKZ1-110-17	110	17	1460	2.5	60	Y160M-4/11
	2	100SAKZ1-100-15	100	15	1450		60	Y132M-4/7.5
	3	100SAKZ1-90-12	90	12	1450		60	Y132S-4/5.5
	4	100SAKZ1-80-10	80	10	1440		55	Y112M-4/4
G	1	125SAKZ1-180-16	180	16	1460	3.5	70	Y160L-4/15
	2	125SAKZ1-160-13	160	13	1460		65	Y160M-4/11
	3	125SAKZ1-130-10	130	10	1450		65	Y132M-4/7.5

性能参数 PERFORMANCE PARAMETERS

类别 Class	序号 No.	规格型号 Specification Type No.	流量 Flow(m ³ /h)	扬程 Lift(m)	转速 Rotating speed(r/min)	NPSHr (m)	效率 Efficiency (%)	配用电机功率 Power of matched electromotor(KW)
H	1	100SAKZ2-160-35	160	35	1470	3.5	67	Y200L-4/30
	2	100SAKZ2-160-27	160	27	1470		65	Y180L-4/22
	3	100SAKZ2-120-32	120	32	1470		65	Y180M-4/18.5
	4	100SAKZ2-150-25	150	25	1470		65	Y180M-4/18.5
	5	100SAKZ2-150-22	150	22	1460		65	Y160L-4/15
	6	100SAKZ2-130-18	130	18	1460		60	Y160M-4/11
K	1	125SAKZ2-250-40	250	40	1480	4	70	Y225M-4/45
	2	125SAKZ2-250-33	250	33	1480		70	Y225S-4/37
	3	125SAKZ2-160-40	160	40	1480		70	Y200L-4/30
	4	125SAKZ2-220-32	220	32	1480		70	Y200L-4/30
	5	125SAKZ2-160-32	160	32	1480		69	Y180L-4/22
	6	125SAKZ2-200-24	200	24	1470		68	Y180L-4/22
	7	125SAKZ2-200-21	200	21	1470		68	Y180M-4/18.5
L	1	150SAKZ2-350-26	350	26	1480	3	70	Y225S-4/37
	2	150SAKZ2-300-22	300	22	1470		70	Y200L-4/30
	3	150SAKZ2-300-18	300	18	1470		70	Y200L-4/30
	4	150SAKZ2-300-15	300	15	1470		65	Y180L-4/22
	5	150SAKZ2-300-12	300	12	1470		65	Y180M-4/18.5
	6	150SAKZ2-200-10	200	10	970		68	Y160L-6/11
M	1	200SAKZ2-600-20	600	20	1480	3	75	Y250M-4/55
	2	200SAKZ2-560-18	560	18	1480		72	Y225M-4/45
	3	200SAKZ2-530-14	530	14	1480		70	Y225S-4/37
	4	200SAKZ2-480-12	480	12	1470		70	Y200L-4/30
	5	200SAKZ2-460-9	460	9	1470		65	Y180L-4/22
	6	200SAKZ2-370-8	370	8	970		72	Y180L-6/15
N	1	125SAKZ3-220-38	220	38	1480	3.5	70	Y225S-4/37
	2	125SAKZ3-210-33	210	33	1470		70	Y200L-4/30
	3	125SAKZ3-190-27	190	27	1470		70	Y180L-4/22

性能参数 PERFORMANCE PARAMETERS

类别 Class	序号 No.	规格型号 Specification Type No.	流量 Flow (m ³ /h)	扬程 Lift (m)	转速 Rotating speed (r/min)	NPSHr (m)	效率 Efficiency (%)	配用电机功率 Power of matched electromot (KW)
P	1	150SAKZ310-400-35	400	35	1480	4	77	Y250M-4/55
	2	150SAKZ310-300-40	300	40	1480		75	Y250M-4/55
	3	150SAKZ310-250-40	250	40	1480		75	Y225M-4/45
	4	150SAKZ310-370-30	370	30	1480		70	Y225M-4/45
Q	1	150SAKZ3-320-50	320	50	1480	2.5	75	Y280S-4/75
	2	150SAKZ3-250-48	250	48	1480		70	Y250M-4/55
	3	150SAKZ3-330-42	330	42	1480		75	Y250M-4/55
	4	150SAKZ3-310-35	310	35	1480		75	Y225M-4/45
	5	150SAKZ3-300-30	300	30	1480		70	Y225S-4/37
	6	150SAKZ3-230-30	230	30	1480		68	Y200L-4/30
R	1	200SAKZ3-600-40	600	40	1480	3.5	80	Y280M-4/90
	2	200SAKZ3-750-30	750	30	1480		80	Y280M-4/90
	3	200SAKZ3-600-34	600	34	1480		80	Y280S-4/75
	4	200SAKZ3-540-26	540	26	1480		75	Y250M-4/55
	5	200SAKZ3-700-20	700	20	1480		75	Y250M-4/55
	6	200SAKZ3-540-22	540	22	1480		75	Y225M-4/45
S	1	150SAKZ4-510-60	510	60	1480	3.5	71	Y132M-4/132
	2	150SAKZ4-480-55	480	55	1480		70	Y315S-4/110
	3	150SAKZ4-450-48	450	48	1480		70	Y280M-4/90
	4	150SAKZ4-450-39	450	39	1480		68	Y280S-4/75
T	1	200SAKZ414-500-45	500	45	1480	3.5	78	Y280M-4/90
	2	200SAKZ414-700-40	700	40	1480		79	Y315S-4/110
	3	200SAKZ414-800-40	600	40	1480		78	Y280M-4/90
	4	200SAKZ414-700-35	700	35	1480		78	Y280M-4/90
	5	200SAKZ414-800-35	800	35	1480		82	Y315S-4/110
	6	200SAKZ414-800-30	800	30	1480		81	Y280M-4/90
U	1	200SAKZ4-950-56	950	56	1480	3	80	Y315L ₂ -4/200
	2	200SAKZ4-800-50	800	50	1480		80	Y315L ₁ -4/160

性能参数 PERFORMANCE PARAMETERS

类别 Class	序号 No.	规格型号 Specification Type No.	流量 Flow (m ³ /h)	扬程 Lift (m)	转速 Rotating speed (r/min)	NPSHr (m)	效率 Efficiency (%)	配用电动机功率 Power of matched electromotor (KW)
U	3	200SAKZ4-760-43	760	43	1480	3	75	Y132M-4/132
	4	200SAKZ4-600-25	600	25	980		78	Y280M-6/55
V	1	250SAKZ4-1100-40	1100	40	1480	3.5	71	Y315L ₂ -4/200
	2	250SAKZ4-1100-35	1100	35	1480		71	Y315L ₁ -4/160
	3	250SAKZ4-1050-31	1050	31	1480		70	Y132M-4/132
	4	250SAKZ4-900-27	900	27	1480		70	Y315S-4/110
	5	250SAKZ4-850-23	850	23	1480		68	Y280M-4/90
	6	250SAKZ4-800-12	800	12	980		68	Y280S-6/45
W	1	350SAKZ5-1500-45	1500	45	1480	2.5	75	Y355M ₂ -4/250
	2	350SAKZ5-1400-36	1400	36	1480		75	Y315L ₂ -4/200
	3	350SAKZ5-1300-27	1300	27	1480		70	Y315L ₁ -4/160
	4	350SAKZ5-1200-22	1200	22	1480		70	Y132M-4/132
	5	350SAKZ5-1000-20	1000	20	980		70	Y315S-6/75
	6	350SAKZ5-1000-15	1000	15	980		70	Y280M-6/55
X	1	350SAKZ617-2100-40	2100	40	1480	2.5	85	Y355L ₂ -4/280
	2	350SAKZ617-2000-32	2000	32	1480		85	Y355M ₂ -4/250
	3	350SAKZ617-1800-27	1800	27	1480		84	Y315L ₂ -4/200
	4	350SAKZ617-1400-18	1400	18	980		85	Y315M-6/90
	5	350SAKZ617-1300-15	1300	15	980		84	Y315S-6/75
Y	1	400SAKZ5-3050-42	3050	42	1480	2.5	78	Y4004-4/500
	2	400SAKZ5-2300-43	2300	43	1480		78	Y4002-4/400
	3	400SAKZ5-2100-42	2100	42	1480		76	Y4001-4/355
	4	400SAKZ5-1900-28	1900	28	980		78	Y355M ₃ -6/200
	5	400SAKZ5-1700-23	1700	23	980		80	Y355M ₁ -6/160
	6	400SAKZ5-1600-20	1600	20	980		78	Y315L ₂ -6/132
Z	1	500SAKZ5-2500-30	2500	30	980	2.5	78	Y355L ₂ -6/250
	2	500SAKZ5-2300-26	2300	26	980		78	Y355L ₁ -6/220
	3	500SAKZ5-2100-22	2100	22	980		75	Y355M ₃ -6/200
	4	500SAKZ5-1900-18	1900	18	980		75	Y355M ₁ -6/160

SALP 低脉冲浆泵

SALP LOW PULSE PULP PUMP



概述

SALP 系列低脉冲纸浆泵是在消化吸收国内外先进泵产品的基础上，专门针对造纸行业设计的一种广泛使用的新型浆泵，独特的叶轮结构，使压力脉冲降到最低，从而使纸的质量均匀一致，提高纸的产量和质量，适用于温度在 80℃ 以下，浓度在 1.5% 以下的成浆输送。

叶轮设计成两层流道结构，中间有隔板。其两层的叶片相互错开半个叶距，且叶片出口边与叶轮中心线形成一个斜角；叶轮叶片比较多，根据叶轮大小每侧有 6-12 片，这样可以把流体分割成无数的小单元，从而改变叶频（叶片通过泵体隔舌频率），使得液流脉冲降低，液流更加平稳、效率更高、振动更小、运行更加平稳可靠。

泵的进出口与轴在同一垂直平面，泵体上单独铸出支撑脚，直接固定在底座上，泵盖通过螺栓固定在泵体和轴承体之间，在检修时拆除轴承体与泵体之间的连接螺栓，就可以在不拆卸泵进、出口管路情况下，叶轮、叶轮隔板、轴封部件和轴承体等可作为一个“推拉部件”进行拆卸或安装。

采用单级、单吸、卧式结构，可节省空间，安装检修方便。

除泵体、泵盖、叶轮等少数零件外，其余均采用模块化设计，实现了零件的标准化，同轴系的轴承部件、密封部件、轴套等均可实现互换，方便实现泵的量产。

旋转方向：从驱动端看，泵的旋转方向为顺时针旋转。

GENERAL

SALP series low pulse pulp pump is a new product which is designed for the paper making industry and widely used on the basis of introducing advanced pumps at home and abroad. The unique impeller structure reduces the pressure pulse to the minimum and guarantees the paper quality be to uniform so as to improve the paper output and quality. And it is applicable for the pulp conveying at the temperature of 80°C or less with thickness of 1.5% or less.

The impeller is designed with two-layer channel structure with a baffle plate in the middle. The blades of two layers are staggered for half a blade distance and the blade outlet edge and the impeller centerline form an oblique angle; the impeller has blades, there are 6-12 blades each side as per the impeller size, as such the liquid can be divided into countless units to change the blade frequency (frequency of blade through the pump), which lows the liquid pulse, stabilizes it better, keeps higher efficiency, lower vibration and much reliable and steady operation. The pump inlet and outlet is kept on the same vertical plane. Supporting legs are welded on the pump body to be fixed on the base, the pump cover is fixed between the pump and the bearing seat through bolts. In case of examination or repair, remove the connecting bolts between the bearing seat and the pump body, as such, without removing the inlet and outlet pipes of the pump, the impeller, back wear-resisting plate, shaft seal and bearing support can be taken as a push/draw part for removal and installation.

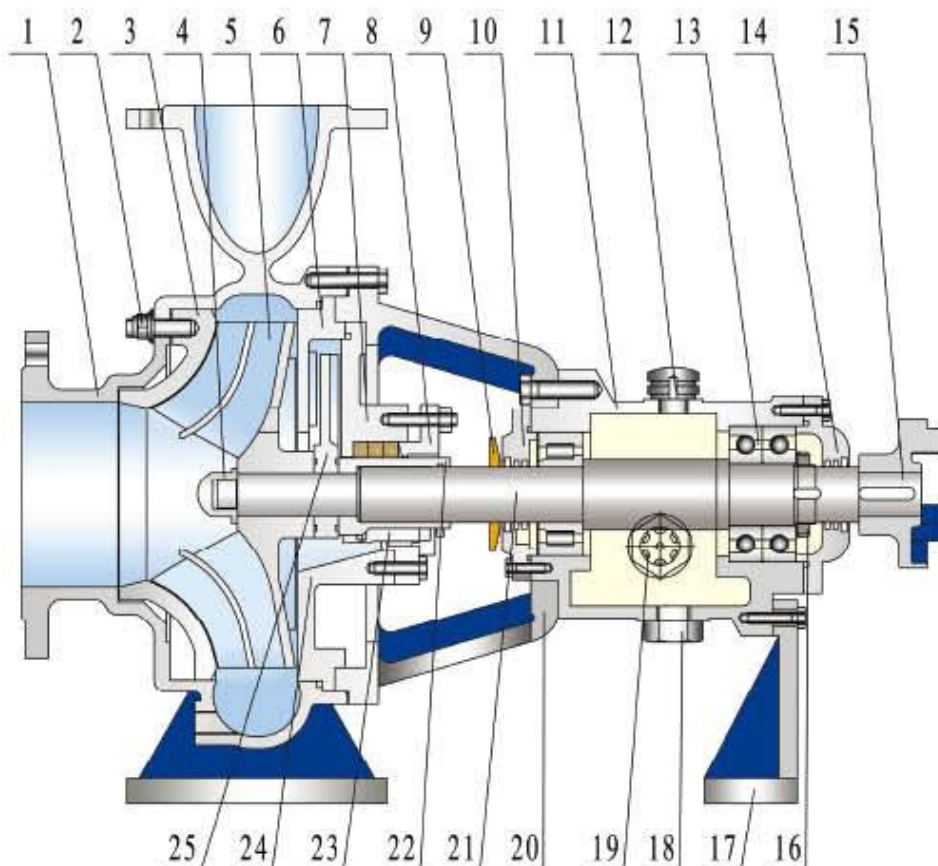
It adopts single-grade, single-suction and horizontal structure for saving spaces and easy repair and maintenance.

Except for the pump body, pump cover and impeller, others all adopt modular design to achieve the part standardization.

The bearing parts, sealing parts, shaft sleeve and spacer sleeve can be interchangeable so as to make it easy for the mass production.

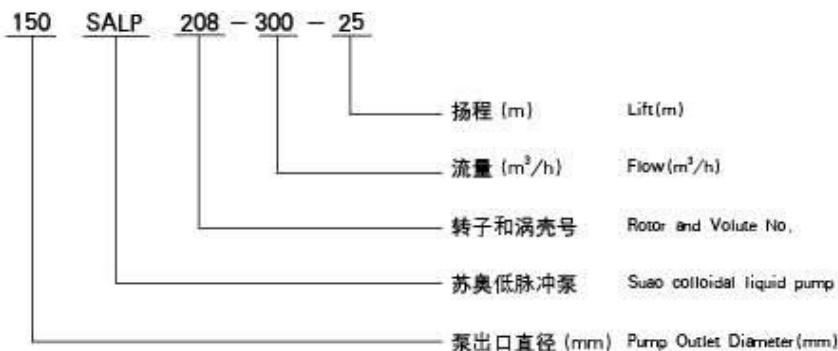
Rotation direction: seen from the driving end, the pump rotation direction shall be clockwise.

结构图
Structural Diagram



- | | | | |
|----------|-----------|--------------------------|-----------------------------|
| 1. 泵壳 | 14. 后轴承盖 | 1. Pump volute | 14. Back bearing cover |
| 2. 调整螺栓 | 15. 泵侧联轴器 | 2. Adjustable bolt | 15 Pump side coupling |
| 3. 调整盖 | 16. 圆螺母 | 3. Adjustable cover | 16. Round nut |
| 4. 叶轮压帽 | 17. 支撑架 | 4. Impeller pressing cap | 17. Support frame |
| 5. 叶轮 | 18. 放油螺塞 | 5. Impeller | 18. Oil drain plug |
| 6. 叶轮隔板 | 19. 油标 | 6. Impeller baffle plate | 19. Oil leveler |
| 7. 后泵盖 | 20. 中间支架 | 7. Back pump cover | 20. Middle support |
| 8. 填料压盖 | 21. 泵轴 | 8. Packing gland | 21. Pump shaft |
| 9. 甩水环 | 22. 轴套 | 9. Rejection water ring | 22. Shaft sleeve |
| 10. 前轴承盖 | 23. 机械密封 | 10. Front bearing cover | 23. Mechanical seal |
| 11. 轴承体 | 24. 机封腔 | 11. Bearing body | 24. Mechanical seal chamber |
| 12. 透气盖 | 25. 副叶轮 | 12. Vent cap | 25. Associated impeller |
| 13. 轴承 | | 13. Bearing | |

型号说明 TYPE I INDICATION



主要部件材质配备表 Main parts and material quality

部件名称 Part	材料类型 Material Type	
	A	B
泵壳 Pump volute	耐磨合金钢 Wear resistance alloy steel	耐磨不锈钢 Wear resistance stainless steel
叶轮 Impeller	耐磨不锈钢 Wear resistance stainless steel	耐磨不锈钢 Wear resistance stainless steel
调整盘 Adjusting plate	耐磨不锈钢 Wear resistance stainless steel	耐磨不锈钢 Wear resistance stainless steel
叶轮隔板 Impeller baffle	耐磨合金钢 Wear resistance alloy steel	耐磨不锈钢 Wear resistance stainless steel
后泵盖 Back pump cover	HT	耐磨不锈钢 Wear resistance stainless steel
副叶轮 Associated impeller	耐磨合金钢 Wear resistance alloy steel	耐磨不锈钢 Wear resistance stainless steel
泵轴 Pump shaft	40Cr	40Cr
轴承体 Bearing body	QT500-7	QT500-7

备注：除以上配备材质外，也可根据抽吸的物料选配不同的耐磨、耐腐蚀材质。

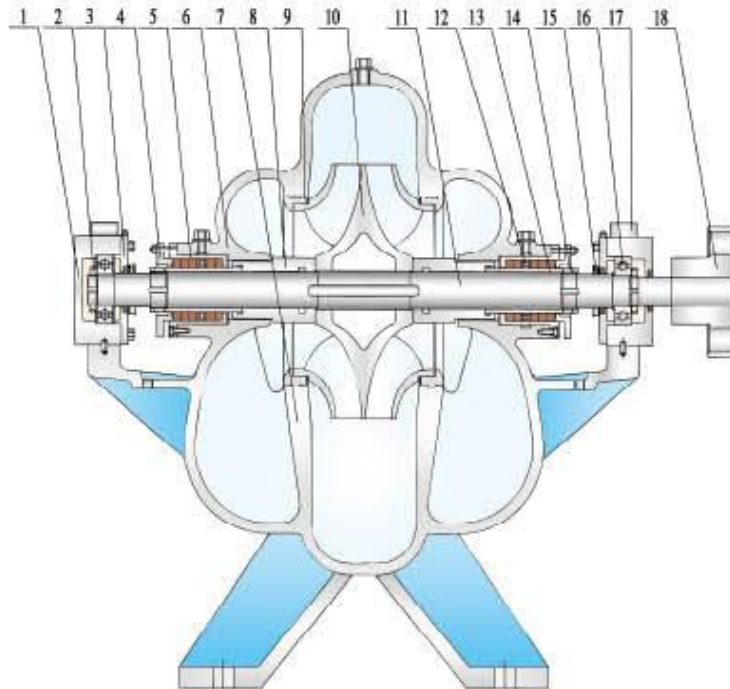
Note: Except the above materials, different wear-resistant materials can be selected as per the suction.

配用轴承表 Bearing Sheet

转子规格 Rotor Spec	泵头端轴承型号 Pump Head Bearing Type	数量 (套) Qty (set)	联轴器端轴承型号 Coupling Bearing Type	数量 (套) Qty (set)
1#	NJ2309E	1	7310B/DB	2
2#	NJ2311E	1	7312B/DB	2
3#	NJ2313E	1	7314B/DB	2
4#	NJ2315E	1	7316B/DB	2
5#	NJ2318E	1	7319B/DB	2
6#	NJ2320E	1	7322B/DB	2

SAFJ 低脉冲浆泵

SAFJ LOW PULSE PULP PUMP



- | | | | |
|---------|-----------|----------------------|------------------------------|
| 1. 轴承体 | 10. 叶轮 | 1. Bearing body | 10. Impeller |
| 2. 圆螺母 | 11. 泵轴 | 2. Round nut | 11. Pump shaft |
| 3. 轴承盖 | 12. 水封环 | 3. Bearing cover | 12. Seal ring |
| 4. 填料压盖 | 13. 轴套 | 4. Packing gland | 13. Axle sleeve |
| 5. 填料室 | 14. 轴套螺母 | 5. Packing chamber | 14. Sleeve nut |
| 6. 泵盖 | 15. 甩水环 | 6. Pump cover | 15. Water ring |
| 7. 泵体 | 16. 轴承 | 7. Pump body | 16. Bearing |
| 8. 连接套 | 17. 轴承体压盖 | 8. Connecting sleeve | 17. Bearing gland |
| 9. 口环 | 18. 泵侧联轴器 | 9. Ring | 18. Pump side shaft coupling |

性能参数 PERFORMANCE PARAMETERS

类别 Class	序号 No.	规格型号 Specification Type No.	流量 Flow (m ³ /h)	扬程 Lift (m)	转速 Rotating speed (r/min)	NPSHr (m)	效率 Efficiency (%)	配用电机功率 Power of matched electromot (KW)
A	1	150SALP208-300-25	300	25	1470	4	76	Y200L-4/30
	2	150SALP208-200-11	200	11	970		74	Y160L-6/11
	3	150SALP208-270-20	270	20	1470		75	Y180L-4/22
	4	150SALP208-180-9	180	9	970		72	Y160M-6/7.5
B	1	150SALP310-300-45	300	45	1480	4	76	Y250M-4/55
	2	150SALP310-200-20	200	20	980		74	Y200L ₁ -6/18.5
	3	150SALP310-270-36	270	36	1480		75	Y225M-4/45
	4	150SALP310-180-16	180	16	980		73	Y180L-6/15
	5	150SALP310-300-28	300	28	1480		72	Y225S-4/37
C	1	200SALP311-500-25	500	25	1480	4	78	Y250M-4/55
	2	200SALP311-340-11	340	11	980		76	Y200L ₁ -6/18.5
	3	200SALP311-450-20	450	20	1480		77	Y225M-4/45
	4	200SALP311-300-9	300	9	980		75	Y180L-6/15
D	1	200SALP412-700-22	700	22	1480	3.5	79	Y280S-4/75
	2	200SALP412-470-10	470	10	980		77	Y200L ₁ -6/18.5
	3	200SALP412-600-22	600	22	1480		78	Y250M-4/55
	4	200SALP412-410-10	410	10	980		76	Y200L ₁ -6/18.5
	5	200SALP412-600-15	600	15	1480		79	Y225S-4/37
E	1	200SALP413-500-40	500	40	1480	4	76	Y280M-4/90
	2	200SALP413-340-18	340	18	980		75	Y225M-6/30
	3	200SALP413-500-32	500	32	1480		76	Y280S-4/75
	4	200SALP413-340-14	340	14	980		74	Y200L ₂ -6/22
	5	200SALP413-400-40	400	40	1480		75	Y280S-4/75
	6	200SALP413-270-18	270	18	980		73	Y200L ₂ -6/22
	7	200SALP413-400-32	400	32	1480		76	Y250M-4/55
	8	200SALP413-270-14	270	14	980		74	Y200L ₁ -6/18.5
F	1	200SALP414-700-45	700	45	1480	3.5	77	Y315M-4/132
	2	200SALP414-800-40	800	40	1480		77	Y315M-4/132
	3	200SALP414-460-20	460	20	980		76	Y250M-6/37
	4	200SALP414-660-40	660	40	1480		76	Y315S-4/110
	5	200SALP414-440-18	440	18	980		75	Y250M-6/37

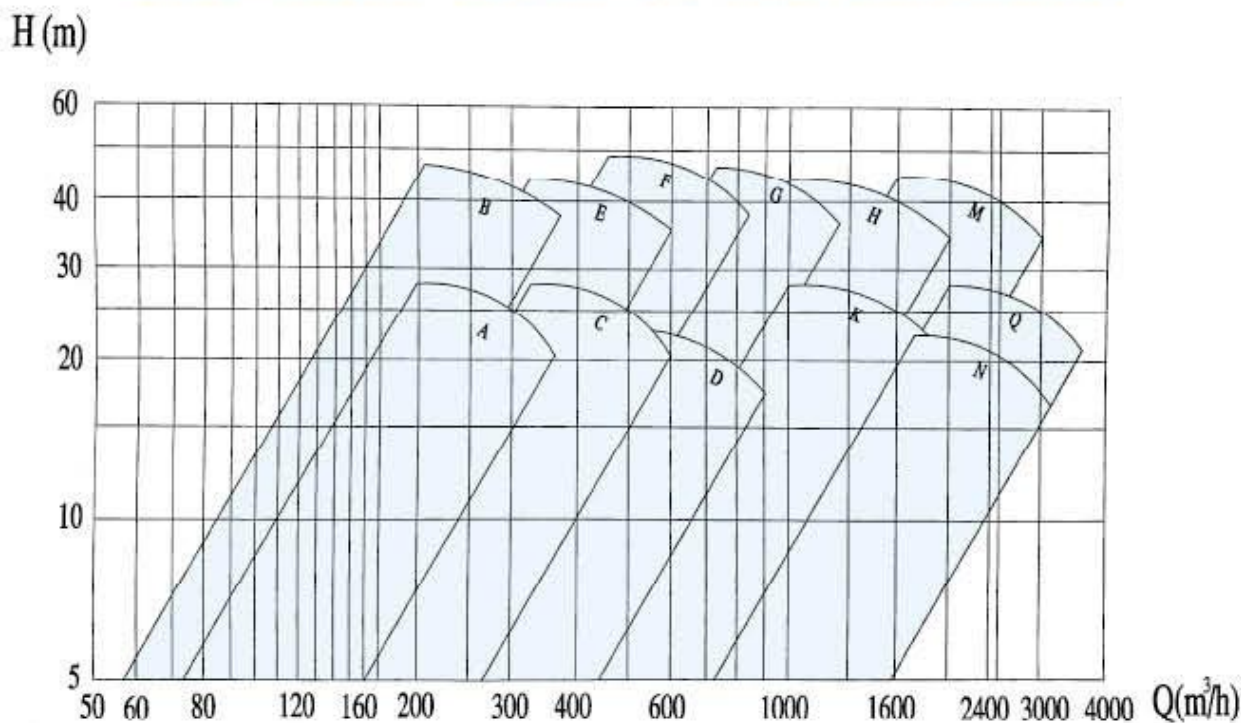
性能参数 PERFORMANCE PARAMETERS

类别 Class	序号 No.	规格型号 Specification Type No.	流量 Flow (m ³ /h)	扬程 Lift (m)	转速 Rotating speed (r/min)	NPSHr (m)	效率 Efficiency (%)	配用电动机功率 Power of matched electromotor (KW)
F	6	200SALP414-600-32	600	32	1480	3.5	77	Y280S _M -4/75
	7	200SALP414-410-14	410	14	980		75	Y225M-6/30
G	1	250SALP515-1100-40	1100	40	1480	3	81	Y315L ₁ -4/160
	2	250SALP515-730-18	730	18	980		80	Y280M-6/55
	3	250SALP515-1100-32	1100	32	1480		81	Y315M-4/132
	4	250SALP515-730-14	730	14	980		79	Y280S-6/45
	5	250SALP515-1000-27	1000	27	1480		80	Y315S-4/110
	6	250SALP515-830-27	830	27	1480		79	Y280M-4/90
H	1	300SALP616-1600-40	1600	40	1480	2	85	Y355M ₂ -4/250
	2	300SALP616-1060-18	1060	18	980		84	Y315S-6/75
	3	300SALP616-1600-32	1600	32	1480		85	Y315L ₂ -4/200
	4	300SALP616-1060-14	1060	14	980		84	Y315S-6/75
K	1	400SALP518-1990-14	1990	14	980	2.5	82	Y315L ₁ -6/110
	2	400SALP518-1660-18	1660	18	980		83	Y315L ₂ -6/132
	3	400SALP518-1460-18	1460	18	980		83	Y315L ₁ -6/110
	4	400SALP518-1660-22	1660	22	980		84	Y355M ₁ -6/160
	5	400SALP518-2000-20	2000	20	980		84	Y355M ₂ -6/185
	6	400SALP518-2000-15	2000	15	980		83	Y315L ₂ -6/132
	7	400SALP518-1600-25	1600	25	980		84	Y355M ₂ -6/185
	8	400SALP518-1600-15	1600	15	980		83	Y315L ₁ -6/110
	9	400SALP518-1250-25	1250	25	980		84	Y355M ₁ -6/160
	10	400SALP518-1600-20	1600	20	980		84	Y315L ₂ -6/132
M	1	400SALP618-2500-40	2500	40	1480	2.5	84	Y355L ₂ -4/355
	2	400SALP618-2200-40	2200	40	1480		83	Y355M ₃ -4/315
	3	400SALP618-2500-50	2500	50	1480		83	Y400L ₂ -4/500
	4	400SALP618-3020-46	3020	46	1480		85	Y400L ₂ -4/500
	5	400SALP618-3020-35	3020	35	1480		84	Y400S ₁ -4/400
	6	400SALP618-2400-57	2400	57	1480		85	Y400L ₂ -4/500
	7	400SALP618-2400-35	2400	35	1480		84	Y355M ₃ -4/315
	8	400SALP618-1900-57	1900	57	1480		85	Y400S ₁ -4/400
	9	400SALP618-2400-46	2400	46	1480		85	Y400S ₁ -4/400
	10	400SALP618-3000-32	3000	32	1480		84	Y355L ₂ -4/355

性能参数 PERFORMANCE PARAMETERS

类别 Type	序号 No.	规格型号 Specification type NO.	流量 Flow (m ³ /h)	扬程 Lift (m)	转速 Rotating speed (r/min)	NPSHr (m)	效率 Efficiency (%)	配用电机功率 Power of matched electromotor (KW)
N	1	500SALP-2400-32	2400	32	990	2.5	80	Y355L-6/280
	2	500SALP-2600-20	2600	20	980		80	Y355M ₂ -6/220
	3	500SALP-2300-20	2300	20	740		83	Y355M ₂ -8/160
	4	500SALP-2000-20	2000	20	740		82	Y315M ₂ -8/132
	5	500SALP-1700-20	1700	20	740		80	Y315M ₁ -8/110
P	1	500SAFJ-2000-25	2000	25	980	2.5	82	Y355M ₂ -6/200
	2	500SAFJ-1900-23	1900	23	980		82	Y355M ₂ -6/185
	3	500SAFJ-1800-20	1800	20	980		80	Y355M ₁ -6/160
	4	500SAFJ-1700-18	1700	18	980		78	Y315L ₂ -6/132
	5	500SAFJ-1600-16	1600	16	980		78	Y315L ₁ -6/110
Q	1	600SAFJ-3000-25	3000	25	980	2.5	82	Y3552-6/315
	2	600SAFJ-2850-23	2850	23	980		82	Y3551-6/280
	3	600SAFJ-2700-20	2700	20	980		80	Y355L ₃ -6/250
	4	600SAFJ-2550-18	2550	18	980		78	Y355L ₁ -6/220
	5	600SAFJ-2400-16	2400	16	980		78	Y355M ₂ -6/200

SA 低脉冲泵运行特性范围图
Operating charater rang drawing of SA low pulse pulp pump



SAJP 胶液泵

SAJP COLLOIDAL LIQUID PUMP



概述

SAJP 胶液泵是我公司吸收国外泵（苏尔寿泵、奥斯龙泵）基础上研制开发的专利产品，主要用于粘度大的液体输送，适用于清水、海水及带有酸、碱度的化工介质液体和带有一般糊状的浆料（介质粘度 ≤ 100 厘珀，含固量可达30%以下）。

采用单级单吸悬臂结构，泵的进出口与轴在同一垂直平面，泵体上单独铸出支撑脚，直接固定在底座上，泵盖通过螺栓固定在泵体和轴承体之间，在检修时拆除轴承体与泵体之间的连接螺栓，就可以在不拆卸泵进、出口管路情况下，叶轮、叶轮隔板、轴封部件和轴承体等可作为一个“推拉部件”进行拆卸或安装。

轴封采用动力密封加填料密封或机械密封，密封效果好。

旋转方向：从驱动端看，泵的旋转方向为顺时针旋转。

GENERAL

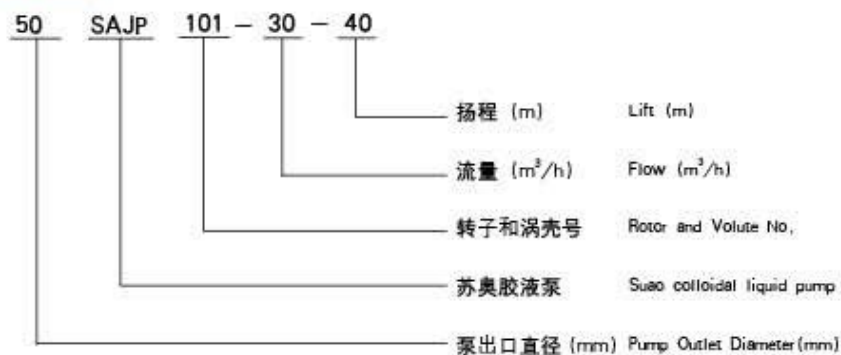
SAJP colloidal liquid pump is a patented product researched and developed by our company on the basis of introducing foreign pumps (Sulzer and Ahlstrom pumps), which is mainly used for the conveying of liquid with high viscosity. It is applicable for clean water, sea water and chemical media with pH values (medium viscosity ≤ 100 CP, the solid content may be 30% or less).

It adopts one-stage and one suction cantilever construction, the pump inlet and outlet is kept on the same vertical plane. Supporting legs are welded on the pump body to be fixed on the base, the pump cover is fixed between the pump and the bearing seat through bolts. In case of examination or repair, remove the connecting bolts between the bearing seat and the pump body, as such, without removing the inlet and outlet pipes of the pump, the impeller, back wear-resisting plate, shaft seal and bearing support can be taken as a push/draw part for removal and installation.

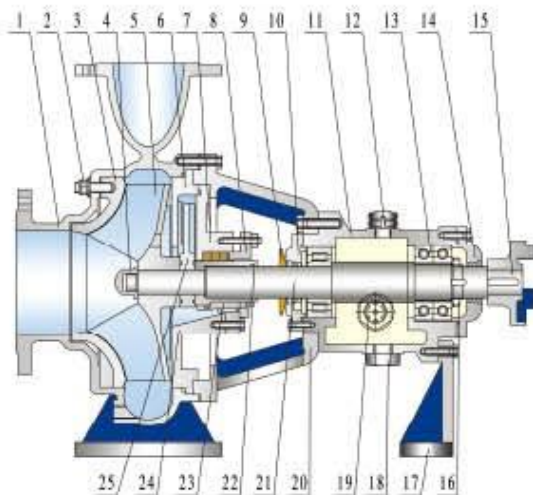
The shaft seal adopts dynamic seal, filling seal and mechanical seal for a better effect.

Rotation direction: seen from the driving, the pump's rotation direction shall be clockwise.

型号说明 TYPE INDICATION



结构图
Structural Diagram



- | | | | |
|----------|-----------|--------------------------|-----------------------------|
| 1. 泵壳 | 14. 后轴承盖 | 1. Pump volute | 14. Back bearing cover |
| 2. 调整螺栓 | 15. 泵侧联轴器 | 2. Adjustable bolt | 15. Pump side coupling |
| 3. 调整盖 | 16. 圆螺母 | 3. Adjustable cover | 16. Round nut |
| 4. 叶轮压帽 | 17. 支撑架 | 4. Impeller pressing cap | 17. Support frame |
| 5. 叶轮 | 18. 放油螺塞 | 5. Impeller | 18. Oil drain plug |
| 6. 叶轮隔板 | 19. 油标 | 6. Impeller baffle plate | 19. Oil leveler |
| 7. 后泵盖 | 20. 中间支架 | 7. Back pump cover | 20. Middle support |
| 8. 填料压盖 | 21. 泵轴 | 8. Packing gland | 21. Pump shaft |
| 9. 甩水环 | 22. 轴套 | 9. Rejection water ring | 22. Shaft sleeve |
| 10. 前轴承盖 | 23. 机械密封 | 10. Front bearing cover | 23. Mechanical seal |
| 11. 轴承体 | 24. 机封腔 | 11. Bearing body | 24. Mechanical seal chamber |
| 12. 透气盖 | 25. 副叶轮 | 12. Vent cap | 25. Associated impeller |
| 13. 轴承 | | 13. Bearing | |

主要部件材质配备表 Main parts and material quality

部件名称 Part	材料类型 Material Type	
	A	B
泵壳 Pump volute	耐磨合金钢 Wear resistance alloy steel	耐磨不锈钢 Wear resistance stainless steel
叶轮 Impeller	耐磨不锈钢 Wear resistance stainless steel	耐磨不锈钢 Wear resistance stainless steel
调整盘 Adjusting plate	耐磨不锈钢 Wear resistance stainless steel	耐磨不锈钢 Wear resistance stainless steel
叶轮隔板 Impeller baffle	耐磨合金钢 Wear resistance alloy steel	耐磨不锈钢 Wear resistance stainless steel
后泵盖 Back pump cover	HT	耐磨不锈钢 Wear resistance stainless steel
副叶轮 Associated impeller	耐磨合金钢 Wear resistance alloy steel	耐磨不锈钢 Wear resistance stainless steel
泵轴 Pump shaft	40Cr	40Cr
轴承体 Bearing body	QT500-7	QT500-7

备注：除以上配备材质外，也可根据抽吸的物料选配不同的耐磨、耐腐蚀材质。

Note: Except the above materials, different wear-resistant materials can be selected as per the suction.

性能参数 PERFORMANCE PARAMETERS

类别 Class	序号 No.	规格型号 Specification Type No.	流量 Flow (m ³ /h)	扬程 Lift (m)	转速 Rotating speed (r/min)	效率 Efficiency (%)	NPSHr (m)	浆体比重 Dielectric Volume Concentration (%)	配用电动机功率 Power of matched electromot (KW)
A	1	50SAJP101-30-40	30	40	1460	56	2.3	1.1	Y160M-4/11
								1.3	Y160L-4/15
	2	50SAJP101-30-32	30	32	1460	54		1.1	Y132M-4/7.5
							1.3	Y160M-4/11	
	3	50SAJP101-25-27	25	27	1440	51		1.1	Y132S-4/5.5
								1.3	Y132M-4/7.5
B	1	50SAJP102-40-22	40	22	1460	60	2.3	1.1	Y132S-4/5.5
								1.3	Y132M-4/7.5
	2	50SAJP102-30-22	30	22	1460	58		1.1	Y132S-4/5.5
								1.3	Y132S-4/5.5
	3	50SAJP102-25-20	25	20	1460	57		1.1	Y112M-4/4
							1.3	Y132S-4/5.5	
	4	50SAJP102-30-15	30	15	1440	56		1.1	Y112M-4/4
							1.3	Y132S-4/5.5	
	5	50SAJP102-22-15	22	15	1440	56		1.1	Y112M-4/4
								1.3	Y112M-4/4
C	1	80SAJP103-100-25	100	25	1460	66	2.4	1.1	Y160L-4/15
								1.3	Y180M-4/18.5
	2	80SAJP103-90-20	90	20	1460	65		1.1	Y160M-4/11
								1.3	Y160L-4/15
	3	80SAJP103-80-25	80	25	1460	66		1.1	Y160M-4/11
								1.3	Y160L-4/15
	4	80SAJP103-60-22	60	22	1460	65		1.1	Y160M-4/11
							1.3	Y160M-4/11	
	5	80SAJP103-50-18	50	18	1460	64		1.1	Y132M-4/7.5
							1.3	Y132M-4/7.5	
	6	80SAJP103-80-15	80	15	1470	63		1.1	Y132M-4/7.5
							1.3	Y160M-4/11	
D	1	80SAJP104-90-45	90	45	1470	60	3.2	1.1	Y200L-4/30
								1.3	Y200L-4/30
	2	80SAJP104-80-40	80	40	1470	59		1.1	Y180L-4/22
								1.3	Y180L-4/22
	3	80SAJP104-80-35	80	35	1470	58		1.1	Y180M-4/18.5
								1.3	Y180L-4/22
	4	80SAJP104-50-50	50	50	1470	55		1.1	Y180M-4/18.5
								1.3	Y180L-4/22
	5	80SAJP104-45-35	45	35	1470	53		1.1	Y160M-4/11
							1.3	Y160L-4/15	
	6	80SAJP104-60-40	60	40	1470	62		1.1	Y180M-4/18.5
							1.3	Y180L-4/22	
	7	80SAJP104-60-32	60	32	1470	60		1.1	Y160L-4/15
							1.3	Y180M-4/18.5	
	8	80SAJP104-40-18	40	18	960	58		1.1	Y132M ₂ -6/5.5
							1.3	Y160M-6/7.5	
G	1	50SAJP-10-20	10	20	1450	51	2.5	1.1	Y112M-4/4
								1.3	Y132S-4/5.5
	2	50SAJP-10-15	10	15	1450	50		1.1	Y100L ₂ -4/3
								1.3	Y112M-4/4
	3	50SAJP-30-80	30	80	2900	53		1.1	Y180M-2/22
								1.3	Y200L ₁ -2/30
	4	50SAJP-20-60	20	60	2900	51		1.1	Y160L-2/18.5
							1.3	Y180M-2/22	
	5	50SAJP-20-40	20	40	2900	50		1.1	Y160M ₁ -2/11
							1.3	Y160M ₂ -2/15	
	6	50SAJP-20-30	20	30	2900	50		1.1	Y132S ₂ -2/7.5
							1.3	Y160M ₁ -2/11	

SALXLZ 两相流纸浆泵

SALXLZ TWO-PHASE FLOW PULP PUMP



概述

SALXLZ 系列两相流纸浆泵，是我公司在原生产的两相流泵基础上经过周密的市场调研，认真倾听用户意见，详细研究制浆、造纸工艺流程，为适应当今制浆造纸的需求，本着保持、继承原两相流泵的优点，克服改造其弊端，对原型泵进行技术上的优化组合和改造，采用 CAD 计算机辅助设计使其性能可靠，效率高，结构先进合理，造型美观和谐。

两相流泵根据固液两相流体在泵内运动速度场和压力场的畸变规律，进行泵的流道水力设计，使之符合固液两相流体在泵内的运动规律，得到最佳的能量转换，大大提高了泵的水力效率和气蚀性能及泵的使用寿命。

叶轮开式结构，泵体前增加观察窗，维修保养更加方便。

由于泵头部分采用前后开门结构，维修时不需拆卸管道，只需将电机向后移动，即可对泵进行拆卸和维修。

旋转方向：从驱动端看，泵的旋转方向为逆时针旋转。

GENERAL

SALXLZ series two-phase flow pulp pump is a new product developed by our company on the basis of the former two-phase flow pump market survey, clients' advice, careful research on the pulp process, paper making flow and so on. In order to meet the demand for pulp paper making, we keep and continue the advantages of two-phase flow pumps, overcome disadvantages and conduct optimized grouping and rebuilding on the pumps through technologies. We adopt CAD-aid design to guarantee the reliable performance, high efficiency, advanced structure, fine appearance and so on.

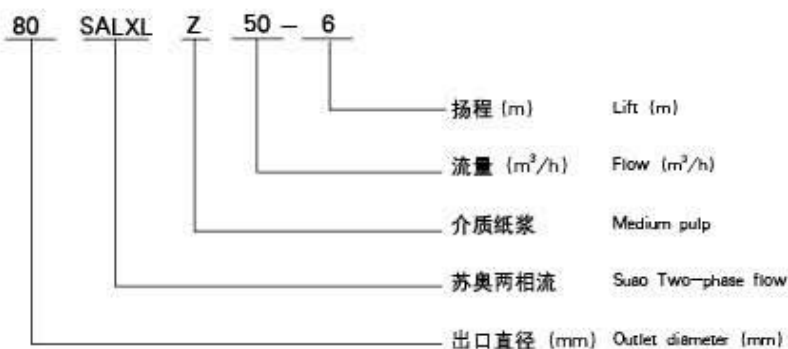
According to the moving speed and pressure field distortion patten of two-phase solid and liquid in the pump, the flow channel waterpower in the pump is designed to make the moving patten of two-phase solid and liquid achieve the optimal energy transformation, which greatly increase the waterpower efficiency, suction performance and pump service life.

The opening impeller structure, sight window added before the pump make it easy for maintenance.

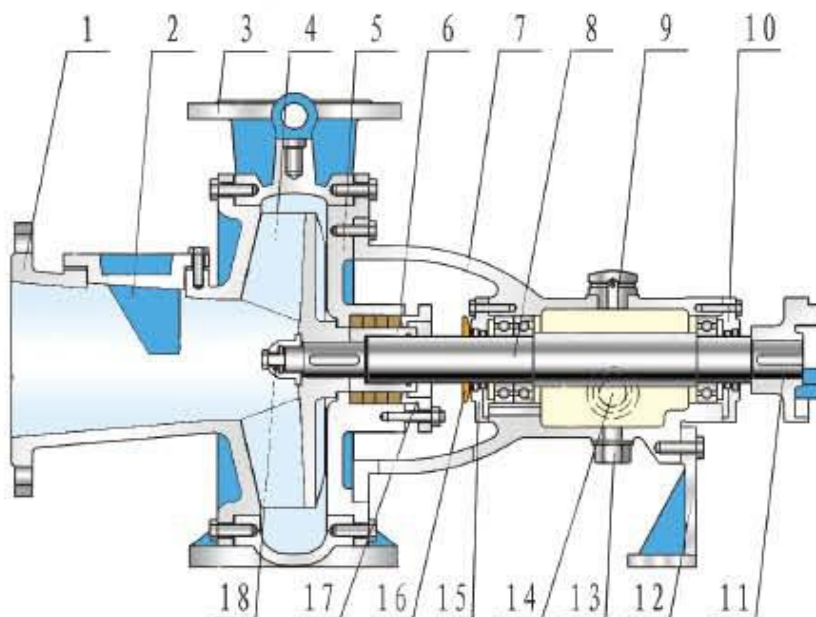
For the pump head adopts front-back door structure, and it is unnecessary to remove tubes for repair, and just move the motor backward to uninstall and repair it.

Rotation direction: seen from the driving, the pump' s rotation direction shall be anticlockwise.

型号说明 TYPE INDICATION

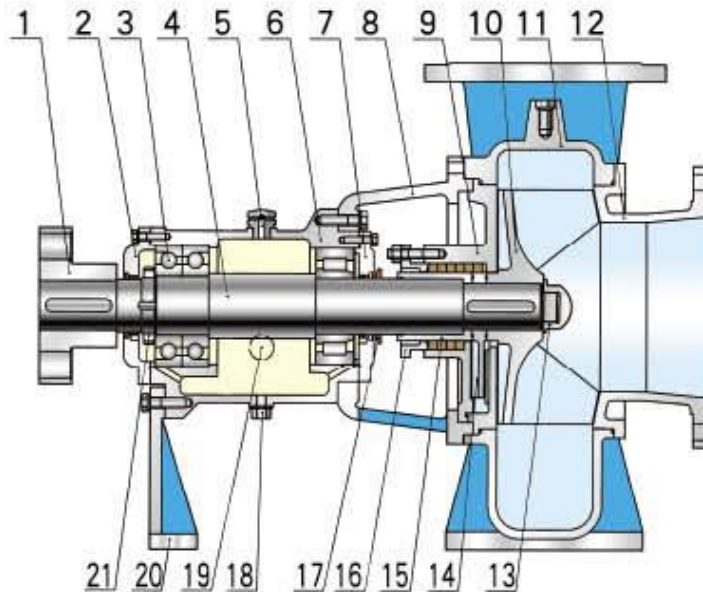


结构图
Structural Diagram



- | | | | |
|-------|----------|---------------------|--------------------------|
| 1、前泵盖 | 10、后轴承盖 | 1. Front pump cover | 10. Back bearing cover |
| 2、手孔盖 | 11、泵侧联轴器 | 2. Hand hole cover | 11 Pump side coupling |
| 3、泵壳 | 12、支撑架 | 3. Pump volute | 12. Support frame |
| 4、叶轮 | 13、放油螺塞 | 4. Impeller | 13. Oil drain plug |
| 5、后泵盖 | 14、油标 | 5. Back pump cover | 14. Oil leveler |
| 6、轴套 | 15、前轴承盖 | 6. Shaft sleeve | 15. Front bearing cover |
| 7、轴架 | 16、甩水环 | 7. Shaft support | 16. Rejection water ring |
| 8、泵轴 | 17、填料压盖 | 8. Pump shaft | 17. Packing gland |
| 9、透气盖 | 18、叶轮螺母 | 9. Vent cap | 18. Impeller nut |

W 类结构图
W Structural Diagram



- | | | | |
|----------|----------|------------------------|-----------------------------|
| 1. 泵侧联轴器 | 12. 前泵盖 | 1. Pump side coupling | 12. Front pump cover |
| 2. 后轴承盖 | 13. 叶轮压盖 | 2. Back bearing cover | 13. Impeller pressing cover |
| 3. 轴承 | 14. 副叶轮 | 3. Bearing | 14. Associated impeller |
| 4. 泵轴 | 15. 轴套 | 4. Pump shaft | 15. Shaft sleeve |
| 5. 透气盖 | 16. 填料压盖 | 5. Vent caps | 16. Packing gland |
| 6. 轴承体 | 17. 甩水环 | 6. Bearing body | 17. Rejection water ring |
| 7. 前轴承盖 | 18. 放油螺塞 | 7. Front bearing cover | 18. Oil drain plug |
| 8. 中间支架 | 19. 油标 | 8. Middle support | 19. Oil lever |
| 9. 后泵盖 | 20. 支撑架 | 9. Back pump cover | 20. Support |
| 10. 叶轮 | 21. 圆螺母 | 10. Impeller | 21. Round nut |
| 11. 泵壳 | | 11. Pump volute | |

主要部件材质配备表 Main parts and material quality

部件名称 Part	材料类型 Material Type	
	A	B
泵壳 Pump volute	HT250	耐磨不锈钢 Wear resistance stainless steel
叶轮 Impeller	HT250	耐磨不锈钢 Wear resistance stainless steel
前泵盖 Front pump cover	HT250	耐磨不锈钢 Wear resistance stainless steel
后泵盖 Back pump cover	HT250	耐磨不锈钢 Wear resistance stainless steel
泵轴 Pump shaft	40Cr	40Cr
轴承体 Bearing body	HT250	HT250

备注：除以上配备材质外，也可根据抽吸的物料选配不同的耐磨、耐腐蚀材质。

Note: Except the above materials, different wear-resistant materials can be selected as per the suction.

性能参数 PERFORMANCE PARAMETERS

类别 Type	序号 No.	规格型号 Specification type NO.	流量 Flow (m ³ /h)	扬程 Lift (m)	NPSHr (m)	转速 Rotating speed (r/min)	效率 Efficiency (%)	配用电机功率 Power of matched electromotor (KW)
A	1	80SALXLZ-50-6	50	6	4	1420	68	Y100L ₁ -4/2.2
	2	80SALXLZ-35-6	35	6		1400	68	Y90L-4/1.5
B	1	80SALXLZ-60-12	60	12	4	1440	65	Y112M-4/4
	2	80SALXLZ-65-15	65	15		1440	65	Y132S-4/5.5
	3	80SALXLZ-90-18	90	18		1440	68	Y132M-4/7.5
	4	80SALXLZ-50-20	50	20		1440	60	Y132S-4/5.5
F	1	100SALXLZ-120-27	120	27	4	1460	70	Y160L-4/15
	2	100SALXLZ-80-25	80	25		1440	68	Y160M-4/11
	3	100SALXLZ-110-20	110	20		1440	70	Y160M-4/11
	4	100SALXLZ-80-20	80	20		1440	68	Y132M-4/7.5
	5	100SALXLZ-55-25	55	25		1440	65	Y132M-4/7.5
	6	100SALXLZ-150-17	150	17		1460	68	Y160L-4/15
	7	100SALXLZ-100-10	100	10		960	68	Y132M ₂ -6/5.5
G	1	100SALXLZ-110-40	110	40	4	1470	66	Y180L-4/22
	2	100SALXLZ-90-40	90	40		1470	65	Y180M-4/18.5
	3	100SALXLZ-70-40	70	40		1460	65	Y160L-4/15
	4	100SALXLZ-80-35	80	35		1460	64	Y160L-4/15
	5	100SALXLZ-60-35	60	35		1460	63	Y160M-4/11
	6	100SALXLZ-70-30	70	30		1460	63	Y160M-4/11
K	1	100SALXLZ-220-55	220	55	3.5	1480	66	Y250M-4/55
	2	100SALXLZ-200-50	200	50		1480	66	Y225M-4/45
	3	100SALXLZ-140-50	140	50		1480	65	Y225S-4/37
	4	100SALXLZ-130-45	130	45		1470	64	Y200L-4/30
P	1	125SALXLZ-200-40	200	40	3.5	1470	70	Y225S-4/37
	2	125SALXLZ-200-35	200	35		1470	70	Y200L-4/30
	3	125SALXLZ-160-30	160	30		1470	68	Y180L-4/22
	4	125SALXLZ-130-38	130	38		1470	68	Y180L-4/22
	5	125SALXLZ-120-32	120	32		1470	68	Y180M-4/18.5
	6	125SALXLZ-130-18	130	18		970	70	Y160L-6/11
	7	125SALXLZ-130-12	130	12		970	67	Y160M-6/7.5
M	1	150SALXLZ-300-30	300	30	3.5	1470	75	Y225S-4/37
	2	150SALXLZ-230-30	230	30		1470	75	Y200L-4/30
	3	150SALXLZ-300-25	300	25		1470	75	Y200L-4/30
	4	150SALXLZ-200-25	200	25		1470	74	Y180L-4/22
	5	150SALXLZ-260-20	260	20		1470	74	Y180L-4/22
	6	150SALXLZ-220-20	220	20		1470	74	Y180M-4/18.5
	7	150SALXLZ-210-16	210	16		1460	72	Y160L-4/15

性能参数 PERFORMANCE PARAMETERS

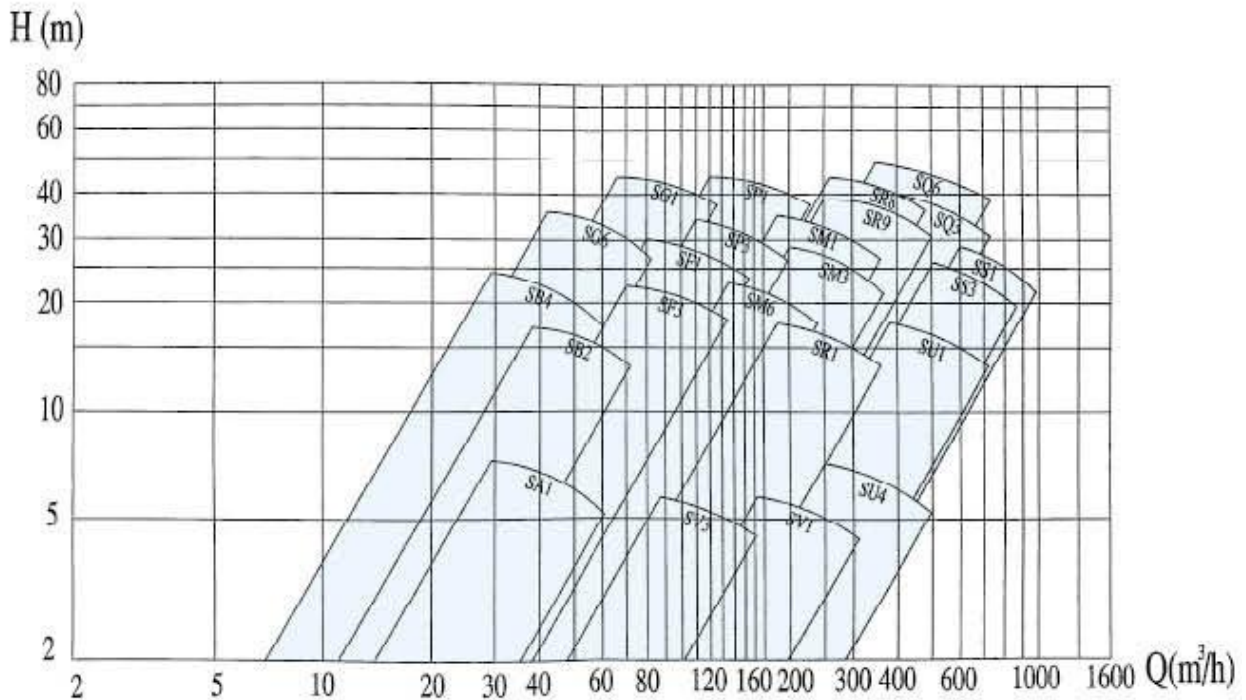
类别 Type	序号 No.	规格型号 Specification type NO.	流量 Flow (m ³ /h)	扬程 Lift (m)	NPSHr (m)	转速 Rotating speed (r/min)	效率 Efficiency (%)	配用电动机功率 Power of matched electromotor (KW)
M	8	150SALXLZ-240-14	240	14	3	1460	72	Y160L-4/15
	9	150SALXLZ-200-14	200	14		960	75	Y160L-6/11
	10	150SALXLZ-180-12	180	12		960	75	Y160L-6/11
R	1	150SALXLZ-300-15	300	15	3	970	76	Y200L ₁ -6/18.5
	2	150SALXLZ-280-12	280	12		970	75	Y180L-6/15
	3	150SALXLZ-430-32	430	32		1480	75	Y250M-4/55
	4	150SALXLZ-400-28	400	28		1480	75	Y225M-4/45
	5	150SALXLZ-340-25	340	25		1480	74	Y225S-4/37
	6	150SALXLZ-360-36	360	36		1480	76	Y250M-4/55
	7	150SALXLZ-380-16	380	16		970	77	Y200L ₂ -6/22
	8	150SALXLZ-400-40	400	40		1480	74	Y280S-4/75
	9	150SALXLZ-400-35	400	35		1480	74	Y250M-4/55
	10	150SALXLZ-320-35	320	35		1480	74	Y225M-4/45
	11	150SALXLZ-370-30	370	30		1480	74	Y225M-4/45
	12	150SALXLZ-360-43	360	43		1480	74	Y280S-4/75
	13	150SALXLZ-260-16	260	16		970	74	Y200L ₁ -6/18.5
Q	1	200SALXLZ-370-14	370	14	3	970	77	Y200L ₂ -6/22
	2	200SALXLZ-350-12	350	12		970	76	Y200L ₁ -6/18.5
	3	200SALXLZ-570-34	570	34		1480	77	Y280S-4/75
	4	200SALXLZ-500-27	500	27		1480	76	Y250M-4/55
	5	200SALXLZ-330-17	330	17		970	77	Y200L ₂ -6/22
	6	200SALXLZ-500-43	500	43		1480	75	Y280M-4/90
S	1	250SALXLZ-800-25	800	25	2.5	1480	77	Y280M-4/90
	2	250SALXLZ-700-32	700	32		1480	76	Y280M-4/90
	3	250SALXLZ-700-22	700	22		1480	75	Y280S-4/75
	4	250SALXLZ-600-22	600	22		1480	75	Y250M-4/55
	5	250SALXLZ-600-12	600	12		980	77	Y225M-6/30
	6	250SALXLZ-500-10	500	10		980	75	Y200L ₂ -6/22
U	1	200SALXLZ-600-15	600	15	2.5	1470	76	Y225S-4/37
	2	200SALXLZ-500-15	500	15		1470	75	Y200L-4/30
	3	200SALXLZ-500-10	500	10		1470	74	Y180L-4/22
	4	200SALXLZ-400-6	400	6		970	76	Y160L-6/11
	5	200SALXLZ-330-5	330	5		970	75	Y160M-6/7.5

性能参数 PERFORMANCE PARAMETERS

类别 Type	序号 No.	规格型号 Specification type NO.	流量 Flow (m ³ /h)	扬程 Lift (m)	NPSHr (m)	转速 Rotating speed (r/min)	效率 Efficiency (%)	配用电动机功率 Power of matched electromotor (KW)
V	1	150SALXLZ-250-5	250	5	2.5	1440	76	Y132S-4/5.5
	2	150SALXLZ-180-5	180	5		1440	76	Y112M-4/4
	3	150SALXLZ-130-5	130	5		1420	75	Y100L ₁ -4/3
W	1	250SALXLZ-620-12	620	12	2	980	75	Y250M-6/37
	2	250SALXLZ-660-14	660	14		980	75	Y280S-6/45
	3	250SALXLZ-780-11	780	11		980	78	Y250M-6/37
	4	250SALXLZ-820-13	820	13		980	78	Y280S-6/45
	5	250SALXLZ-860-14	860	14		980	78	Y280M-6/55
	6	250SALXLZ-940-28	940	28		1480	75	Y315S-4/110
	7	250SALXLZ-1000-32	1000	32		1480	75	Y315M-4/132
	8	250SALXLZ-1150-26	1150	26		1480	78	Y315M-4/132
	9	250SALXLZ-1200-29	1200	29		1480	78	Y315L ₁ -4/160
	10	250SALXLZ-1300-32	1300	32		1480	78	Y315L ₂ -4/200

SALXLZ 两相流纸浆泵运行特性范围图

Operating charater rang drawing of SALXLZ two-phase flow pulp pump



SATJ 系列节能可调智能浆池（塔）推进器

SATJ SERIES ENERGY-SAVING ADJUSTABLE SMART PULP CHEST (TOWER) PROPELLER



概述

SATJ 系列全调节节能不锈钢智能浆池（塔）推进器是我公司吸收国外技术，结合现代造纸制浆工艺完全自主研发的安全节能产品。整机结构紧凑合理、使用安全节能、性能可靠、维护保养更方便。

调节手轮在机体末端，可在浆池外对叶片角度调节，方便实用。

叶片用销钉连接，拆卸、维修保养更方便。

搅拌器接管巧妙设计内圆外方易预埋安装。

电机与齿轮箱设计为一体，节省空间，保证其他设备安装更合理。

叶片从传统的 3 片增加至 4 片，使浆料的循环滚动性更佳。叶片角度调节完全不用进浆池，在停机状况下在池外调节，极大提高了操作安全性。

密封采用特殊的橡胶密封，在密封处巧妙地设计一根测漏管，引出池外，在密封失效时在池外能直观的看到密封效果。适用于纸浆浓度在 4.2% 以下（浓度高时可加稀释水调节）的生产过程中储浆池、浆塔、混合池、干损纸池，也可用于纸机抄前池浆料的搅拌。防止浆水脱层沉淀现象的发生，使其达到循环滚动，混合更均匀。



GENERAL

SATJ series energy-saving stainless smart pulp chest (tower) propeller is a safe energy-saving product researched and developed independently by our company which introduces foreign technologies and modern paper pulp making process. The product has compact structure, safe for use, energy-saving as well as reliable performance and easy for maintenance.

The adjustable hand wheel is installed at the end of the machine, which can be used for blade angle adjustment outside the pump chest, and it is easy and convenient.

The blade is connected by pins, and it is easy for un-installation, repair and maintenance.

The mixing connection tube is designed with inner round and outer square, which is easy for embedding and installation.

The motor and gear box is designed into a whole for space saving and guarantee the easy installation of other parts.

The blade quantity is increased from traditional 3 to 4, which make the pulp recycling rolling better, and the angle adjustment of blades need no access to the pulp chest, and the adjustment can be made outside the pulp chest with it is stopped, which greatly improves the operation security.

Special rubber sealing is adopted, a leak tube is designed at the sealing place to go outside the pulp chest, if the sealing fails, the sealing effect can be seen outside the pulp chest. The product can be used in the production with paper pulp thickness of 4.2% or less (water can be added for dissolution if the thickness is higher), pulp chest, pulp tower, mixing chest, pit or mixing of machine chest pulp for paper machines. It can prevent the pulp water from delaminating precipitation, and make it roll round and well mix.

性能参数 PERFORMANCE PARAMETERS

型号规格 Type	浆叶直径 Blade Dia (mm)	浆叶转速 Blade Rotation Speed(r/min)	有效搅拌容积 Valid Mixed Volume (m ³)	电机型号及功率 Motor Type and Power	密封方式 Sealing Method
SATJ 500	Φ500	222	10 ~ 20	Y132S-4/5.5KW	组合密封橡胶骨架密封 Group sealing, Rubber reinforced seal
				Y132M-4/7.5KW	
SATJ 600	Φ600	222	15 ~ 30	Y132M-4/7.5KW	
				Y160M-4/11KW	
SATJ 700	Φ700	222	20 ~ 35	Y160M-4/11KW	
				Y160L-4/15KW	
SATJ 750	Φ750	222	20 ~ 40	Y160M-4/11KW	
				Y160L-4/15KW	
SATJ 850	Φ850	222	35 ~ 60	Y160L-4/15KW	
				Y180M-4/18.5KW	
SATJ 1000	Φ1000	222	50 ~ 80	Y180M-4/18.5KW	
				Y180L-4/22KW	
				Y200L-4/30KW	
SATJ 1150	Φ1150	159	70 ~ 110	Y200L2-6/22KW	
				Y225M-6/30KW	
SATJ 1250	Φ1250	159	80 ~ 120	Y225M-6/30KW	
				Y250M-6/37KW	
SATJ 1350	Φ1350	159	100 ~ 150	Y250M-6/37KW	
				Y280S-6/45KW	
SATJ 1550	Φ1550	159	140 ~ 200	Y280S-6/45KW	
				Y280M-6/55KW	

注：推进器型号、浆叶转速及配套电机功率具体由浆料浓度、浆种、浆池或浆塔容积（包括有效部分尺寸）和结构、搅拌要求等确定。

Note: The mixer type, blade rotation speed and supporting motor power shall depend on the pulp thickness, pulp variety, or tower volume (including effective size), structure, mixing requirements and so on.

Service concept

质量为先，信誉为重，管理为本，服务为诚

Quality First, Credit First, Management-based and Service targeted

信誉至上 用心服务

Credit First, Warm-hearted Service

服务宗旨：

本公司产品实行“三包”，本公司售后服务中心24小时服务，配有专业服务人员，可以为您提供及时、优质、高效的服务，为您彻底免除后顾之忧。

向客户作如下承诺：

加强质量管理，健全质量管理体系，确保为用户提供合格满意的产品。保证做到出厂的产品为全新的、技术先进的，并达到标准化规定的有关标准或合同要求，不合格的产品绝不出厂。

本公司产品实行“三包”，免费维修不少于12个月，终身服务。保证兑现“三包”。在“三包”期内的产品用户发现质量问题实现包修、包换、包退。超过“三包”期的产品，本公司按优惠价格及时提供维修配件，并按用户要求做好维修服务工作，免收人工服务费。

Service Tenet:

Our products enjoy "Three-guarantee" service, and we provide clients with 24-hour after-sale service, professional technicians are arranged to provide clients with timely, quality and efficient service so as to solve your troubles.

Our commitments:

Strengthen quality control, perfect the quality control system and provide clients with satisfactory products. All products leaving factory are new, technically advanced and reach relevant standards as agreed, and the disqualified ones will be forbidden to leave factory.

With the "Three-guarantee" service provided, the maintenance period free of charge will be 12 months at least, and permanent service will be provided. And the "Three-guarantee" service will be provided as shown, during the "Three-guarantee" period, in case of any quality defect, the product can be repaired, replaced or returned. If exceeding the "Three-guarantee period", the product may enjoy preferential price with fittings, according to clients' request, we will provide the maintenance service and collect no fees for labor service.



我们的

OUR

服务理念

Service concept



扫描二维码 关注公司最新动态

河南博奥泵业有限公司

HENAN BOAO PUMP INDUSTRY CO.,LTD

地址：郑州市上街区阀门产业园-锦江南路

电话：0371-63279996 63279997 63279998

传真：0371-63279995

网址：www.suaop.com

邮箱：suaop@126.com

邮编：450041

Add: valve industry park-jinjiang-south road,
shangjie district, zhengzhou city

Tel: 0371-63279996 63279997 63279998

Fax: 0371-63279995

Http: [//www.suaop.com](http://www.suaop.com)

E-mail: suaop@126.com

Post-code: 450041