

博奥泵业

渣浆泵系列说明书



河南博奥泵业有限公司
HENAN BOAO PUMP INDUSTRY CO.,LTD



Brief 公司简介 introduction

河南博奥泵业有限公司是生产“苏奥”牌系列纸浆泵、低脉冲泵、工艺流程泵、渣浆泵、压滤机加压泵、两相流泵，并率先通过ISO9001-2000国际质量体系认证的专业厂家。公司位于郑州市上街区阀门产业园锦江南路13号，占地3万多平方米，毗邻310国道、陇海铁路和连霍高速，地理环境优美，交通运输十分便捷。

三十年来，公司一贯秉承“创新、奋进、求实、高效”的经营理念，培养、造就了一支高素质、高水平的员工队伍。公司技术力量雄厚，加工设备先进，制造工艺精湛，检测设备齐全，管理体系完善。同时公司不断追求科技进步，长期同国内知名院校密切合作，不断引进吸收国内外先进的设计原理，以超前的科学理念，采用CAD计算机软件辅助设计，成功研制开发了具有国际水平的系列化“苏奥”牌浆泵。产品已达八大系列，700多种规格型号，广泛应用于铝工业流程、矿山、洗煤、烟气脱硫、水力疏浚、制浆、造纸等行业。并获得多项国家专利；同时为适应市场需求，2011年公司自主研发出SAKZ型宽流道纸浆专用泵，于2012年投放市场，备受用户青睐，产品畅销国内外。相继被国家高新企业组织研究室授予“企业科技成果自主创新优秀奖”和河南省委宣传部颁发的“河南省质量无投诉双优单位”等荣誉称号。

博奥公司将继续走科技创新之路，努力打造“苏奥”品牌，走向世界，服务客户，回报社会，共铸辉煌。

THE DEVELOPMENT OF ENTERPRISES

企业发展的原动力



Henan Boao Pump Co., Ltd specialize in the production of Suao Brand pumps such as pulp pump, low pulse pump, process flow pump, slurry pump, filter press-based pressure pump, two-phase flow pump and so on, and it takes the leading to pass ISO9001-2000 international quality system certification. It is located at No.13, Jinjiang South Road, Shangjie District Valve Industrial Park, Zhengzhou, covering an area of over 30000 square meters, neighboring 310 national way, Longhai Railway and Lianhuo Expressway, the geographical environment is beautiful and the traffic is very convenient.

In the past 30 years, the company has been insisting on the operation concept "Innovation, Struggle, Practical and Efficient" and created a high quality and high level employee team. It owns strong technical strength, advanced process equipment, as well as advanced technique, complete testing instruments and perfect management systems. In addition, the company aims at technical progress and establishes close cooperation with famous universities and colleges at home and abroad, and continuously introduce and absorb internationally advanced design principle, based on the leading scientific concept and CAD-based design, it has successfully developed a series of Suao Brand pumps at international level. The products have eight series and over 700 specifications, which are widely used in aluminum industrial flow, mining, coal washing, flue gas desulfurization, hydraulic dredging, pulp making and paper making, etc. The company has obtained a number of national patents, meanwhile, in order to meet the market demand, the company researched and developed special SAKZ type wide flow pass pulp pump in 2011, which was promoted in 2012 and were popular in clients, and the products have been well sold around the world. The company obtains successively Enterprise Technical Result Innovative Award granted by state high & hi-tech enterprise organization research room and Quality Complaint Free Excellent Unit in Henan granted by Propaganda Department of Henan Province, etc. The company will continue the technical innovation and devote itself to creating the Suao brand, internationalization, client service and contribution to the society and creating a bright future.

荣誉

Our tenet



追求卓越、创新发展、诚信为本、标准管理、优质高效、
 Pursuit of excellence, innovative development, good faith, standard management, quality and efficiency,
 持续改进、顾客满意、是我们始终如一的宗旨。
 continuous improvement, clients' satisfaction, are our permanent tenet.



科技创新与保护 Science and technology innovation and protection



质量保证
Quality assurance



典型业绩 Typical performance

中国铝业股份有限公司河南分公司	Henan Branch of China Aluminum Co., Ltd.
中国铝业股份有限公司中州分公司	Zhongzhou Branch of China Aluminum Co., Ltd.
中国铝业股份有限公司山西分公司	Shanxi Branch of China Aluminum Co., Ltd.
中国铝业股份有限公司广西分公司	Guangxi Branch of China Aluminum Co., Ltd.
河南神火新材料有限公司	Henan Shenhua New Materials Co., Ltd.
河南豫联能源集团有限公司	Henan Yulian Energy Group Co., Ltd.
河南有色汇源铝业有限公司	Henan Huiyuan Nonferrous Aluminum Co., Ltd.
中铝集团山西交口兴华科技股份有限公司	Chinalco Shanxi Jiaokou Xinghua Technology Co., Ltd.
山西华兴铝业有限公司	Shanxi Huaxing Aluminum Co., Ltd.
山西奥凯达化工有限公司	Shanxi Aikaida Chemical Co., Ltd.
山西紫光钾业有限公司	Shanxi Ziguang Potassium Co., Ltd.
山西省孝义市泰兴铝镁有限公司	Shanxi Xiaoyi Taixing Aluminum Magnesium Co., Ltd.
柳林县森泽煤铝有限责任公司	Liulin Senze Coal Aluminum Co., Ltd.
山东鑫佳选煤设备有限公司	Shandong Xinjia Coal Preparation Equipment Co., Ltd.
滕州市德惠选煤设备有限公司	Tengzhou dehui Coal Preparation Equipment Co., Ltd.
广西华银铝业有限公司	Guangxi Huayin Aluminum Co., Ltd.
重庆市南川先锋氧化铝有限公司	Chongqing Nanchuan Xianfeng Alumina Co., Ltd.
中国铝业遵义氧化铝有限公司	Chinalco Zunyi Alumina Co., Ltd.
贵州华飞化学工业有限公司	Guizhou Huafei Chemical Industry Co., Ltd.
云南文山铝业有限公司	Yunnan Wenshan Aluminum Co., Ltd.
云南九州再生资源开发有限公司	Yunnan Novoland Renewable Resources Development Co., Ltd.



SAZF 系列轻型渣浆泵 / SATP 系列工艺流程泵

SAZF LIGHT-TYPE SLURRY PUMP / SATP PROCESS FLOW PUMP

简介

SAZF 系列轻型渣浆泵 / SATP 系列工艺流程泵为单级、单吸、悬臂式离心泵，是我公司在消化国内外同类产品先进技术基础上，结合公司多年制造经验而自主开发、研究设计的具有自主知识产权的、应用于铝工业流程、火电站烟气脱硫、煤炭、化工、造纸、钢铁等行业的新型泵。该产品性能可靠，外观采用现代工业造型设计理念，美观和谐。

用途

铝工业流程：固体浓度小于 35%，固体颗粒小于 0.5mm（有时可带少许 20mm 以下的固形物），含碱浓度小于 350g/L 的悬浮液。

制碱行业：纯碱和氨联碱生产的氨盐水母液，氯碱生产的常温苛性碱、氯产品和氯酸盐、次氯酸盐。

制酸行业：硝酸、硫酸、盐酸、磷酸等。

有色冶金：电解铜镍的电解液，生产铝的铝酸钠液，生产钴的酸雾液、生产锌的矿浆液，生产钒的钒酸铵，生产黄金的酸雾液和硫酸液等。

钢铁行业：电镀、酸洗、废酸处理等。

石油化工：石油精炼、乙醚、烷基苯等的制造。

造纸行业：纸浆蒸煮液和漂白液等制浆输送。

制药行业：医药和农药等的生产。

烟气脱硫行业：主要用于火电站（厂）烟气脱硫。

化肥行业：尿素、硝酸铵等的生产。

材料

与介质接触的过流部件，常用材料如下：

2Cr13、0Cr18Ni9、1Cr18Ni9、0Cr18Ni9Ti、1Cr18Ni9Ti、0Cr18Ni12Mo2Ti、40Cr、1Cr18Ni12Mo2Ti、A49、20 合金钢、KmTBCr26、ZG45Mn2 等。

INTRODUCTION

The SAZF light-type slurry pump/SATP process flow pump is a centrifugal pump with single pole, single absorption and cantilever, which is a new-style product developed and designed by our company with self-owned intellectual property and applies to such industries as aluminum industry flow, desulphurization of flue gas in thermal power stations, coal, chemical industry, paper making, steel and so on, integrating years of production experiences on the basis of advanced technologies of the same products absorbed at home and abroad. The product has reliable performances and its excellent and concordant appearances are designed under the concepts of modern industrial molding.

PURPOSE

Aluminum industrial flow: the solid concentration is less than 35%, the solid particles are less than 0.5mm (sometimes few solid substances less than 20mm are mixed), the floating liquor with soda concentration less than 350g/L.

Soda-making industry: ammonia salt water made of soda and combined ammonia soda, caustic alkali under normal temperature, chlorine product, chlorate and hypochlorite made of chloric alkali.

Acid-making industry: nitric acid, sulphuric acid, hydrochloric acid, phosphonic acid and so on.

Nonferrous metals: electrolyte for electrolyzing cupronickel, sodium aluminate solution for producing aluminum, acid mist solution for producing cobalt, mineral pulp solution for producing zinc, ammonium vanadate for producing vanadium, acid mist solution and thiourea solution for producing gold and so forth.

Steel industry: electroplating, acid cleaning, spent acid treatment and so on.

Petrochemical industry: manufacture of refined petroleum, acetaldehyde, alkyl benzene and so on.

Paper-making industry: pulp-making and transportation of pulp-cooking liquor and bleaching liquor, etc.

Pharmaceutical industry: production of medicines, pesticides and so on.

Desulphurization industry of flue gas: mainly apply to the desulphurization of flue gas in thermal power stations.

Chemical fertilizer industry: production of carbamide and ammonium nitrate, etc.

MATERIALS

The flow passage components contacting mediums usually adopt the following materials:

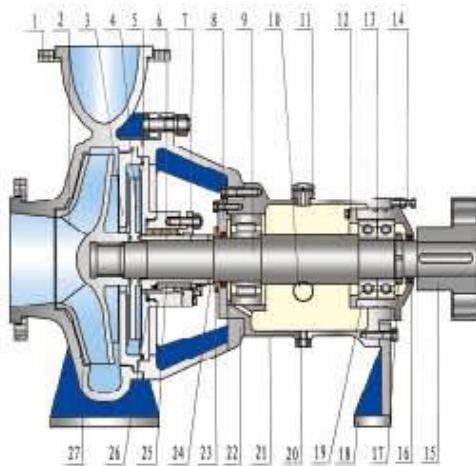
2Cr13、0Cr18Ni9、1Cr18Ni9、0Cr18Ni9Ti、1Cr18Ni9Ti、0Cr18Ni12Mo2Ti、40Cr、1Cr18Ni12Mo2Ti、A49、20 alloy steel、KmTBCr26、ZG45Mn2 and so on.

泵型号举例说明 ILLUSTRATION OF PUMP TYPES



SAZF 系列轻型渣浆泵的特点、结构与使用范围

CHARACTERISTICS, STRUCTURES AND RANGE OF APPLICATION FOR LIGHT-TYPE SAZF SLURRY PUMP



- | | |
|----------|-------------|
| 1. 活法兰 | 15. 联轴器 |
| 2. 叶轮 | 16. 油封 |
| 3. 叶轮隔板 | 17. 圆螺母 |
| 4. 副叶轮 | 18. 支撑架 |
| 5. 后泵盖 | 19. 轴承盒 |
| 6. 轴套 | 20. 放油螺塞 |
| 7. 填料压盖 | 21. 轴承体 |
| 8. 前轴承盖 | 22. 中间支架 |
| 9. 泵轴 | 23. 甩水环 |
| 10. 油标 | 24. 拆卸环 |
| 11. 透气盖 | 25. 机械密封 |
| 12. 后轴承盖 | 26. 填料室或机封腔 |
| 13. 轴承 | 27. 泵壳 |
| 14. 调节螺栓 | |

- | | |
|----------------------------|--|
| 1.Active flange | 15.Joint slack |
| 2.Impeller | 16.Oil seal |
| 3.Baffle plate of impeller | 17.Circular nut |
| 4.Auxiliary impeller | 18.Supporting stand |
| 5.Rear pump cover | 19.Bearing box |
| 6.Axle sleeve | 20.Oil-discharging plug |
| 7.Padding gland | 21.Bearing body |
| 8.Front bearing cover | 22.Middle supporting stand |
| 9.Pump shaft | 23.Water-swing ring |
| 10.Oil scale | 24.Discharging ring |
| 11.Air permeable cover | 25.Mechanical seal |
| 12.Rear bearing cover | 26.Padding room or mechanical seal chamber |
| 13.Bearing | 27.Pump casing |
| 14.Adjustable bolt | |

特点

SAZF 系列渣浆泵是我公司专利产品，结合国内外用泵行业不同要求，采百家之长，使泵具有金属耐蚀，SATP 系列工艺流程泵的主要特点外，又有渣浆泵耐磨的特点。

CHARACTERISTICS

SAZF slurry pump is a patent product of our company, it is developed to meet different requirements of pump users at home and abroad and integrating advantages of various manufacturers in order that the pump has the performance of metal corrosion resistance, it has the wearing-proof characteristic of slurry pump except the main characteristics of SATP process flow pump.

结构

采用 SATP 系列工艺流程泵的中出口、防气锁、管线载荷大等优点，结合我公司的泵壳与轴承架的四点式连接设计，又采用重型渣浆泵常用的叶轮大螺纹连接加拆卸环易拆装等优点，使 SAZF 系列浆泵维修拆装更方便。

STRUCTURES

It borrows the advantages of the middle outlet, airlock proof, pipeline load of SATP process flow pump, and those including that the large impeller thread joint normally used by a heavy slurry pump plus easy disassembly and assembly of the disassembly ring and so on, integrating the four point-style joint design of pump cover and bearing stand in our company, in order that the disassembly and assembly of SAZF pulp pump are more convenient.

使用范围

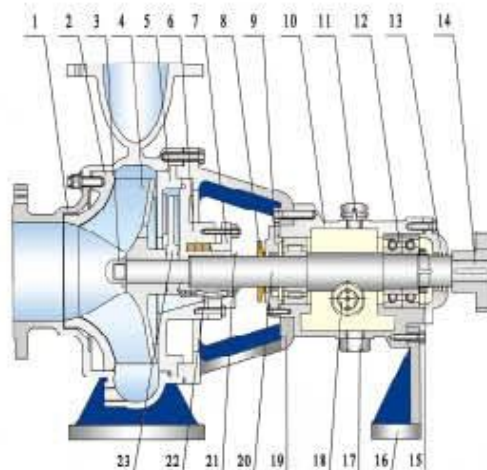
根据用户的要求，过流部件采用不同的材质，SAZF 系列泵主要解决用户对耐碱溶液（PH 值 ≥ 7 ）含硬颗粒的物料输送，含酸溶液（PH 值 ≤ 6 ）含硬颗粒的物料输送的要求而设计的泵，主要用于铝工业流程比重在 1.6 左右的含碱含颗粒的物料、选矿行业、洗煤行业等含酸含颗粒行业的用泵。

RANGE OF APPLICATION

According to the requirements of users, the flow passage components adopt various materials, SAZF pump is mainly designed to meet the requirements of users for transportation of alkali-proof liquor material with (PH ≥ 7) with rigid granules and acid-content liquor material (PH ≤ 6) with rigid granules, the pump is mainly used for such industries containing acid and granules as materials with alkali granules for which the aluminum industry flow has a specific weight totaling about 1.6, mineral dressing industry, coal washing industry and so on.

SATP 系列工艺流程泵的特点、结构与使用范围

CHARACTERISTICS, STRUCTURES AND RANGE OF APPLICATION OF SATP PROCESS FLOW PUMP



- | | |
|---------|----------|
| 1. 泵壳 | 13. 后轴承盖 |
| 2. 调整盖 | 14. 联轴器 |
| 3. 叶轮压盖 | 15. 圆螺母 |
| 4. 叶轮 | 16. 支撑架 |
| 5. 叶轮隔板 | 17. 放油螺塞 |
| 6. 后泵盖 | 18. 油标 |
| 7. 填料压盖 | 19. 中间支架 |
| 8. 甩水环 | 20. 泵轴 |
| 9. 前轴承盖 | 21. 轴套 |
| 10. 轴承体 | 22. 机械密封 |
| 11. 透气盖 | 23. 副叶轮 |
| 12. 轴承 | |

- | | |
|-----------------------------|-----------------------------|
| 1. Pump casing | 13. Rear bearing cover |
| 2. Adjuster plug | 14. Joint slack |
| 3. Impeller gland | 15. Circular nut |
| 4. Impeller | 16. Supporting stand |
| 5. Baffle plate of impeller | 17. Oil-discharging plug |
| 6. Rear pump cover | 18. Oil scale |
| 7. Padding gland | 19. Middle supporting stand |
| 8. Water-swing cup | 20. Pump shaft |
| 9. Front bearing cover | 21. Axle sleeve |
| 10. Bearing body | 22. Mechanical seal |
| 11. Air-permeable cover | 23. Auxiliary impeller |
| 12. Bearing | |

特点

水力模型采用国内外通用的大扭曲叶片，CAD 软件计算机辅助优化设计而成，具有高效率，不同转速不同设计的特点，使泵的效率明显提高，最高效率点在 80% 左右。

CHARACTERISTICS

The hydraulic model is optimized and designed by CAD software, adopting the universal big-twisted blades at home and abroad, it has such characteristics such as high efficiency and different designs under different rotating speeds in order that the efficiency of the pump rises evidently and the highest efficiency point is up to about 80%.

结构

SATP 系列泵采用中出口设计，防气锁能力强。泵壳与悬架式轴承体双点支撑的结构，使泵拆装更方便。密封形式多样：动力加填料密封、动力加机械密封（机械密封有干式、注水单端面、注水双端面组合式），供用户选择。

STRUCTURES

SATP pump adopts the middle-outlet design and has stronger airtlock-proof capacity. The pump casing and the suspending bearing body have a double-point supporting structure in order that the disassembly and assembly of the pump are more convenient. It has various seal modes such as driving force plus padding seal, driving force plus mechanical seal (the machinery seal includes dry type, water infusion towards single end surface, combined water infusion towards double-end surfaces), which are used for choice of users.

使用范围

SATP 泵主要用于铝工业流程、化工行业、炼油行业、排污、造纸、制浆、洗煤等行业的流程用泵。

RANGE OF APPLICATION

SATP pump is mainly used in the processes of such industries as aluminum industry process, chemical industry, oil-refining industry, sewage drainage, paper making, pulp making, coal washing and so on.

SAZF 系列轻型渣浆泵 / SATP 系列工艺流程泵主要技术参数表

MAIN TECHNICAL PARAMETER LIST OF LIGHT-TYPE SAZF SLURRY PUMP / SATP PROCESS FLOW PUMP

类别 Type	序号 No.	规格型号 Specification type NO.	流量 Flow (m ³ /h)	扬程 Lift (m)	转速 Rotating speed (r/min)	轴功率 Shaft power (kw)	效率 Efficiency (%)	必须汽蚀余量 NPSH _r (m)	浆体比重 Specific weight of pulp body	配用电动机功率 Power of matched electromotor (KW)
A	1	50SAZF/TP101-30-40	30	40	1460	7.3	45	2.3	1.1	Y160M-11
			21-36	44-36					1.3	Y160L-15
	2	50SAZF/TP101-30-32	30	32	1460	5.9	44	2.3	1.1	Y132M-7.5
			21-36	35-29					1.3	Y160M-11
	3	50SAZF/TP101-25-27	25	27	1440	4.3	43	2.3	1.1	Y132S-5.5
			17-30	30-24					1.3	Y132M-7.5
	4	50SAZF/TP101-20-17	20	17	960	2.2	42	2.3	1.1	Y132M ₁ -4
			14-24	19-15					1.3	Y132M ₂ -5.5
	5	50SAZF/TP101-15-12	15	12	960	1.2	41	2.3	1.1	Y112M-2.2
			10-18	13.5-10					1.3	Y132S-3
B	1	50SAZF/TP102-40-22	40	22	1460	4.4	55	2.3	1.1	Y132S-5.5
			28-48	24-20					1.3	Y132M-7.5
	2	50SAZF/TP102-30-22	30	22	1460	3.3	54	2.3	1.1	Y132S-5.5
			21-36	24-20					1.3	Y132S-5.5
	3	50SAZF/TP102-25-20	25	20	1460	2.7	50	2.3	1.1	Y112M-4
			18-30	22-18					1.3	Y132S-5.5
	4	50SAZF/TP102-30-15	30	15	1440	2.6	48	2.3	1.1	Y112M-4
			21-36	16.5-13					1.3	Y132S-5.5
	5	50SAZF/TP102-22-15	22	15	1440	2.0	46	2.3	1.1	Y112M-4
			14-26	16.5-13					1.3	Y112M-4
	6	50SAZF/TP102-25-10	25	10	960	1.4	50	2.3	1.1	Y112M-2.2
			18-30	11-9					1.3	Y132S-3
	7	50SAZF/TP102-15-10	15	10	940	0.9	48	2.3	1.1	Y100L-1.5
			10-18	11-9					1.3	Y112M-2.2
C	1	80SAZF/TP203-100-80	100	80	2970	41.9	52	2.3	1.1	Y225M-45
			70-120	85-75					1.3	Y250M-55
	2	80SAZF/TP203-120-55	120	55	2970	35.9	50	3.2	1.1	Y200L ₂ -37
			84-144	60-50					1.3	Y225M-45
	3	80SAZF/TP103-100-25	100	25	1460	10.3	66	2.4	1.1	Y160L-15
			70-120	27.5-22					1.3	Y180M-18.5
	4	80SAZF/TP103-90-20	90	20	1460	7.5	65	2.4	1.1	Y160M-11
			63-108	22-18					1.3	Y160L-15
	5	80SAZF/TP103-60-10	60	10	960	2.5	66	2.4	1.1	Y132M ₁ -4
			42-72	11-9					1.3	Y132M ₂ -5.5
	6	80SAZF/TP103-80-25	80	25	1460	8.3	66	2.4	1.1	Y160M-11
			56-96	27.5-22.5					1.3	Y160L-15

SAZF 系列轻型渣浆泵 / SATP 系列工艺流程泵主要技术参数表
MAIN TECHNICAL PARAMETER LIST OF LIGHT-TYPE SAZF SLURRY PUMP / SATP PROCESS FLOW PUMP

类别 Type	序号 No.	规格型号 Specification type NO.	流量 Flow(m ³ /h)	扬程 Lift(m)	转速 Rotating speed (r/min)	轴功率 Shaft power (kw)	效率 Efficiency (%)	必须汽 蚀余量 NPSH, (m)	浆体比重 Specific weight of pulp body	配用电动机功率 Power of matched electromotor (KW)	
C	7	80SAZF/TP103-60-22	60	22	1460	5.5	65	2.4	1.1	Y160M-11	
			42-72	24-20					1.3	Y160M-11	
	8	80SAZF/TP103-50-18	50	18	1460	3.8	64	2.4	1.1	Y132M-7.5	
			35-60	20-16					1.3	Y132M-7.5	
	9	80SAZF/TP103-40-10	40	10	960	1.7	65	2.4	1.1	Y132S-3	
			28-48	11-8.5					1.3	Y132M ₁ -4	
	10	80SAZF/TP103-80-15	80	15	1460	5.2	63	2.4	1.1	Y132M-7.5	
			56-96	16.5-13					1.3	Y160M-11	
	D	1	80SAZF/TP204-80-100	80	100	2970	43.5	50	3.2	1.1	Y225M-45
				60-95	108-92					1.3	Y250M-55
2		80SAZF/TP204-90-45	90	45	1470	18.4	60	3.2	1.1	Y200L-30	
			63-108	50-41					1.3	Y200L-30	
3		80SAZF/TP204-80-40	80	40	1470	14.8	59	3.2	1.1	Y180L-22	
			56-96	44-36					1.3	Y200L-30	
4		80SAZF/TP204-50-50	50	50	1470	12.4	55	3.2	1.1	Y180M-18.5	
			35-60	54-46					1.3	Y180L-22	
5		80SAZF/TP204-80-35	80	35	1470	13.1	58	3.2	1.1	Y180M-18.5	
			59-96	38-32					1.3	Y180L-22	
6		80SAZF/TP104-60-20	60	20	970	5.4	60	3.2	1.1	Y132M ₂ -7.5	
			42-72	22-18					1.3	Y160L-11	
7		80SAZF/TP104-60-15	60	15	970	4.2	58	3.2	1.1	Y160M-7.5	
			42-72	16.5-13					1.3	Y160M-7.5	
8		80SAZF/TP104-45-35	45	35	1460	8.1	53	3.2	1.1	Y160M-11	
			32-54	38-32					1.3	Y160L-15	
9		80SAZF/TP104-35-22	35	22	970	4.0	52	3.2	1.1	Y132M ₂ -5.5	
			25-42	24-20					1.3	Y160M-7.5	
10	80SAZF/TP104-60-32	60	32	1470	9.0	58	3.2	1.1	Y160L-15		
		42-72	35-29					1.3	Y180M-18.5		
11	80SAZF/TP104-40-18	40	18	960	3.5	56	3.2	1.1	Y132M ₂ -5.5		
		28-48	20-16					1.3	Y160M-7.5		
E	1	80SAZF/TP321-90-85	90	85	1480	43.4	48	3.1	1.1	Y280S-75	
			63-108	91-77					1.3	Y280S-75	
	2	80SAZF/TP321-85-75	85	75	1480	37.7	46	3.1	1.1	Y250M-55	
			55-102	81-68					1.3	Y280S-75	
	3	80SAZF/TP321-80-65	80	65	1480	32.2	44	3.1	1.1	Y225M-45	
			52-96	70-59					1.3	Y250M-55	

SAZF 系列轻型渣浆泵 / SATP 系列工艺流程泵主要技术参数表

MAIN TECHNICAL PARAMETER LIST OF LIGHT-TYPE SAZF SLURRY PUMP / SATP PROCESS FLOW PUMP

类别 Type	序号 No.	规格型号 Specification type NO.	流量 Flow(m ³ /h)	扬程 Lift(m)	转速 Rotating speed (r/min)	轴功率 Shaft power (kw)	效率 Efficiency (%)	必须汽 蚀余量 NPSH _r (m)	浆体比重 Specific weight of pulp body	配用电动机功率 Power of matched electromotor (KW)
E	4	80SAZF/TP321-60-37	60	37	980	12.6	48	3.1	1.1	Y200L ₁ -18.5
			39-72	40-34					1.3	Y200L ₂ -22
	5	80SAZF/TP321-55-33	55	33	980	10.7	46	3.1	1.1	Y180L-15
			36-66	36-30					1.3	Y200L ₁ -18.5
	6	80SAZF/TP321-50-80	50	80	1480	23.7	46	3.1	1.1	Y225S-37
			32-60	85-75					1.3	Y225M-45
	7	80SAZF/TP321-46-70	46	70	1480	19.9	44	3.1	1.1	Y200L-30
			30-55	75-66					1.3	Y225S-37
8	80SAZF/TP321-35-35	35	35	970	7.4	45	3.1	1.1	Y160L-11	
		25-42	38-32					1.3	Y180L-15	
F	1	100SAZF/TP205-160-22	160	22	1470	13.7	70	3.5	1.1	Y180M-18.5
			110-192	24-20					1.3	Y180L-22
	2	100SAZF/TP205-150-25	150	25	1470	14.8	69	3.5	1.1	Y180L-22
			100-180	27-23					1.3	Y180L-22
	3	100SAZF/TP105-160-15	160	15	1470	9.6	68	3.5	1.1	Y160L-15
			110-192	16.5-13					1.3	Y180M-18.5
	4	100SAZF/TP105-120-20	120	20	1470	9.8	67	3.5	1.1	Y160L-15
			84-144	22-18					1.3	Y180M-18.5
	5	100SAZF/TP105-120-15	120	15	1460	7.3	67	3.5	1.1	Y160M-11
			84-144	16.5-13					1.3	Y160L-15
	6	100SAZF/TP105-110-10	110	10	970	4.5	67	3.5	1.1	Y160M-7.5
			77-132	11-9					1.3	Y160M-7.5
H	1	100SAZF/TP206-160-40	160	40	1470	25.6	68	3.2	1.1	Y225S-37
			110-192	44-36					1.3	Y225M-45
	2	100SAZF/TP206-160-32	160	32	1470	20.8	67	3.2	1.1	Y200L-30
			110-192	35-29					1.3	Y200L-30
	3	100SAZF/TP206-120-32	120	32	1470	15.8	66	3.2	1.1	Y180L-22
			84-144	35-29					1.3	Y200L-30
	4	100SAZF/TP206-120-40	120	40	1470	19.5	67	3.2	1.1	Y200L-30
			84-144	44-36					1.3	Y200L-30
	5	100SAZF/TP206-100-18	100	18	970	7.2	68	3.2	1.1	Y160L-11
			70-120	20-16					1.3	Y160L-11
	6	100SAZF/TP206-100-15	100	15	970	6.1	67	3.2	1.1	Y132M ₂ -7.5
			70-120	16-13					1.3	Y160L-11
I	1	100SAZF/TP423-250-60	250	60	1480	61.0	67	3.6	1.1	Y280S-75
			160-300	66-56					1.3	Y280M-90

SAZF 系列轻型渣浆泵 / SATP 系列工艺流程泵主要技术参数表

MAIN TECHNICAL PARAMETER LIST OF LIGHT-TYPE SAZF SLURRY PUMP / SATP PROCESS FLOW PUMP

类别 Type	序号 No.	规格型号 Specification type NO.	流量 Flow(m ³ /h)	扬程 Lift(m)	转速 Rotating speed (r/min)	轴功率 Shaft power (kw)	效率 Efficiency (%)	必须汽 蚀余量 NPSH _r (m)	浆体比重 Specific weight of pulp body	配用电动机功率 Power of matched electromotor (KW)	
I	2	100SAZF/TP423-200-60	200	60	1480	49.5	66	3.6	1.1	Y280S-75	
			140-240	65-56					1.3	Y280S-75	
	3	100SAZF/TP423-100-60	100	60	1480	27.2	60	3.6	1.1	Y225S-37	
			70-120	65-56					1.3	Y225M-45	
	4	100SAZF/TP423-150-55	150	55	1480	38.7	58	3.6	1.1	Y250M-55	
			105-180	60-50					1.3	Y250M-55	
	5	100SAZF/TP423-180-45	180	45	1480	33.9	65	3.6	1.1	Y225M-45	
			130-220	49-41					1.3	Y250M-55	
	6	100SAZF/TP423-170-25	170	25	980	17.8	65	3.6	1.1	Y225M-30	
			110-204	27.5-22.5					1.3	Y225M-30	
	7	100SAZF/TP423-130-25	130	25	980	13.2	67	3.6	1.1	Y200L ₁ -18.5	
			90-156	27.5-22.5					1.3	Y200L ₂ -22	
	L	1	150SAZF/TP208-300-25	300	25	1480	25.9	79	4.3	1.1	Y225S-37
				200-360	27.5-22					1.3	Y225S-37
2		150SAZF/TP208-250-22	250	22	1470	19.2	78	4.3	1.1	Y200L-30	
			170-300	24-18					1.3	Y200L-30	
3		150SAZF/TP208-200-25	200	25	1470	17.7	77	4.3	1.1	Y200L-30	
			140-240	27.5-22.5					1.3	Y200L-30	
4		150SAZF/TP208-300-15	300	15	1470	16.1	76	4.3	1.1	Y180L-22	
			200-360	17-12					1.3	Y200L-30	
5		150SAZF/TP208-200-10	200	10	970	7.8	70	4.3	1.1	Y180L-15	
			140-240	11-8					1.3	Y180L-15	
6		150SAZF/TP208-130-10	130	10	970	5.2	68	4.3	1.1	Y160L-11	
			90-156	11-8					1.3	Y160L-11	
M	1	150SAZF/TP309-320-45	320	45	1480	54.5	72	4.5	1.1	Y280S-75	
			220-384	49-41					1.3	Y280M-90	
	2	150SAZF/TP309-300-40	300	40	1480	46.0	71	4.5	1.1	Y250M-55	
			210-360	44-36					1.3	Y280S-75	
	3	150SAZF/TP309-280-35	280	35	1480	38.1	70	4.5	1.1	Y250M-55	
			195-336	38-32					1.3	Y250M-55	
	4	150SAZF/TP309-200-50	200	50	1480	37.8	72	4.5	1.1	Y250M-55	
			140-240	54-46					1.3	Y280S-75	
	5	150SAZF/TP309-200-40	200	40	1480	30.7	71	4.5	1.1	Y225M-45	
			140-240	44-36					1.3	Y250M-55	
	6	150SAZF/TP309-160-40	160	40	1480	24.9	70	4.5	1.1	Y225S-37	
			110-192	44-36					1.3	Y225M-45	

SAZF 系列轻型渣浆泵 / SATP 系列工艺流程泵主要技术参数表

MAIN TECHNICAL PARAMETER LIST OF LIGHT-TYPE SAZF SLURRY PUMP / SATP PROCESS FLOW PUMP

类别 Type	序号 No.	规格型号 Specification type NO.	流量 Flow (m ³ /h)	扬程 Lift (m)	转速 Rotating speed (r/min)	轴功率 Shaft power (kw)	效率 Efficiency (%)	必须汽蚀余量 NPSH _r (m)	浆体比重 Specific weight of pulp body	配用电动机功率 Power of matched electromotor (KW)	
M	7	150SAZF/TP309-200-32	200	32	1480	24.9	70	4.5	1.1	Y225S-37	
			140-240	35-29					1.3	Y225M-45	
	8	150SAZF/TP309-200-20	200	20	980	15.6	70	4.5	1.1	Y200L ₂ -22	
			140-240	21-17					1.3	Y225M-30	
	9	150SAZF/TP309-130-22	130	22	970	11.6	67	4.5	1.1	Y200L ₂ -22	
			90-156	24-20					1.3	Y200L ₂ -22	
	10	150SAZF/TP309-180-15	180	15	970	11.1	66	4.5	1.1	Y180L-15	
			125-216	17-13					1.3	Y200L ₁ -18.5	
	N	1	150SAZF/TP410-500-45	500	45	1480	74.7	82	4.2	1.1	Y315S-110
				310-600	50-41					1.3	Y315S-110
2		150SAZF/TP410-470-40	470	40	1480	63.2	81	4.2	1.1	Y280M-90	
			290-360	44-36.5					1.3	Y315S-110	
3		150SAZF/TP410-440-35	440	35	1480	52.4	80	4.2	1.1	Y280S-75	
			270-530	38.5-32					1.3	Y280M-90	
4		150SAZF/TP410-320-50	320	50	1480	58.1	75	4.2	1.1	Y280S-75	
			250-390	52.5-48.5					1.3	Y280M-90	
5		150SAZF/TP410-300-45	300	45	1480	49.7	74	4.2	1.1	Y280S-75	
			230-360	47-42.5					1.3	Y280S-75	
6		150SAZF/TP410-280-40	280	40	1480	41.8	73	4.2	1.1	Y250M-55	
			220-340	42-38.5					1.3	Y280S-75	
7		150SAZF/TP410-330-20	330	20	980	22.8	79	4.2	1.1	Y225M-30	
			220-390	21.5-18					1.3	Y250M-37	
8		150SAZF/TP410-300-15	300	15	980	15.7	78	4.2	1.1	Y200L ₂ -22	
			195-360	16-12					1.3	Y225M-30	
9		150SAZF/TP410-200-22	200	22	980	16.0	75	4.2	1.1	Y200L ₂ -22	
			130-240	24-20					1.3	Y225M-30	
P	1	150SAZF/TP419-360-42	360	42	1480	51.5	80	3.5	1.1	Y280S-75	
			220-430	46-39					1.3	Y280M-90	
	2	150SAZF/TP419-320-35	320	35	1480	38.6	79	3.5	1.1	Y250M-55	
			200-385	38-32.5					1.3	Y280S-75	
	3	150SAZF/TP419-250-40	250	40	1480	35.8	76	3.5	1.1	Y250M-55	
			190-340	43-37					1.3	Y280S-75	
	4	150SAZF/TP419-250-32	250	32	1480	29.0	75	3.5	1.1	Y225M-45	
			180-310	34-30					1.3	Y250M-55	
	5	150SAZF/TP419-230-27	230	27	1480	22.9	74	3.5	1.1	Y225S-37	
			150-276	30-24					1.3	Y225M-45	

SAZF 系列轻型渣浆泵 / SATP 系列工艺流程泵主要技术参数表
MAIN TECHNICAL PARAMETER LIST OF LIGHT-TYPE SAZF SLURRY PUMP / SATP PROCESS FLOW PUMP

类别 Type	序号 No.	规格型号 Specification type NO.	流量 Flow(m ³ /h)	扬程 Lift(m)	转速 Rotating speed (r/min)	轴功率 Shaft power (kw)	效率 Efficiency (%)	必须汽 蚀余量 NPSH (m)	浆体比重 Specific weight of pulp body	配用电动机功率 Power of matched electromotor (KW)
P	6	150SAZF/TP419-240-18	240	18	980	15.7	75	3.5	1.1	Y200L ₂ -22
			160-280	20-16					1.3	Y200L ₂ -22
Q	1	150SAZF/TP526-450-65	450	65	1480	110.6	72	4.2	1.1	Y315M-132
			310-540	70-61					1.3	Y315L ₁ -160
	2	150SAZF/TP526-420-60	420	60	1480	98.0	70	4.2	1.1	Y315M-132
			290-500	65-56					1.3	Y315L ₁ -160
	3	150SAZF/TP526-400-52	400	52	1480	80.9	70	4.2	1.1	Y315S-110
			270-480	56-48					1.3	Y315M-132
	4	150SAZF/TP526-500-57	500	57	1480	112.5	69	4.2	1.1	Y315M-132
			350-600	62-53					1.3	Y315L ₁ -160
	5	150SAZF/TP526-500-52	500	52	1480	104.1	68	4.2	1.1	Y315M-132
			320-540	56-48					1.3	Y315L ₁ -160
	6	150SAZF/TP526-300-60	300	60	1480	72.1	68	4.2	1.1	Y315S-110
			190-360	65-56					1.3	Y315M-132
	7	150SAZF/TP526-280-55	280	55	1480	62.6	67	4.2	1.1	Y280S-75
			180-336	59-51					1.3	Y280M-90
	8	150SAZF/TP526-300-30	300	30	980	35.0	70	4.2	1.1	Y280S-45
			210-360	31-26					1.3	Y280M-55
	9	150SAZF/TP526-310-22	310	22	980	27.3	68	4.2	1.1	Y250M-37
			210-375	24-20					1.3	Y280S-45
10	150SAZF/TP526-200-26	200	26	980	21.8	65	4.2	1.1	Y225M-30	
		140-240	29-23					1.3	Y250M-37	
11	150SAZF/TP526-450-25	450	25	980	45.1	68	4.2	1.1	Y280M-55	
		310-540	26-20					1.3	Y315S-75	
R	1	150SAZF/TP527-500-80	500	80	1480	155.6	70	4.2	1.1	Y315L ₂ -200
			350-600	86-75					1.3	Y355M ₁ -220
	2	150SAZF/TP527-470-72	470	72	1480	133.6	69	4.2	1.1	Y315L ₁ -160
			320-560	78-67					1.3	Y315L ₂ -200
	3	150SAZF/TP527-440-63	440	63	1480	112.7	67	4.2	1.1	Y315M-132
			300-520	68-59					1.3	Y315L ₁ -160
	4	150SAZF/TP527-300-90	300	90	1480	111.4	66	4.2	1.1	Y315L ₁ -160
			210-360	93-86					1.3	Y315L ₂ -200
	5	150SAZF/TP527-300-80	300	80	1480	99.0	66	4.2	1.1	Y315M-132
			210-360	85-76					1.3	Y315L ₁ -160
	6	150SAZF/TP527-280-70	280	70	1480	80.9	66	4.2	1.1	Y315M-132
			180-340	75-66					1.3	Y315M-132

SAZF 系列轻型渣浆泵 / SATP 系列工艺流程泵主要技术参数表

MAIN TECHNICAL PARAMETER LIST OF LIGHT-TYPE SAZF SLURRY PUMP / SATP PROCESS FLOW PUMP

类别 Type	序号 No.	规格型号 Specification type NO.	流量 Flow(m ³ /h)	扬程 Lift(m)	转速 Rotating speed (r/min)	轴功率 Shaft power (kw)	效率 Efficiency (%)	必须汽 蚀余量 NPSH _r (m)	浆体比重 Specific weight of pulp body	配用电动机功率 Power of matched electromotor (KW)
R	7	150SAZF/TP527-330-35	330	35	980	46.3	68	4.2	1.1	Y280M-55
			230-395	38-32					1.3	Y315S-75
	8	150SAZF/TP527-200-40	200	40	980	33.0	66	4.2	1.1	Y280S-45
			140-240	42-36					1.3	Y280M-55
	9	150SAZF/TP527-180-35	180	35	980	26.0	66	4.2	1.1	Y250M-37
			120-220	38-32					1.3	Y280S-45
S	1	150SAZF/TP628-400-120	400	120	1480	192.2	68	3.5	1.1	Y355M ₂ -250
			260-480	129-112					1.3	Y355L ₁ -280
	2	150SAZF/TP628-380-110	380	110	1480	169.9	67	3.5	1.1	Y355M ₁ -220
			250-450	118-102					1.3	Y355M ₂ -250
	3	150SAZF/TP628-360-100	360	100	1480	148.5	66	3.5	1.1	Y315L ₂ -200
			230-430	108-92					1.3	Y355M ₁ -220
	4	150SAZF/TP628-350-92	350	92	1480	134.9	65	3.5	1.1	Y315L ₂ -200
			220-420	99-87					1.3	Y315L ₂ -200
	5	150SAZF/TP628-300-110	300	110	1480	136.2	66	3.5	1.1	Y315L ₂ -200
			210-360	119-102					1.3	Y355M ₁ -220
	6	150SAZF/TP628-260-53	260	53	980	55.2	68	3.5	1.1	Y315S-75
			170-310	58-49					1.3	Y315M-90
	7	150SAZF/TP628-250-44	250	44	980	44.7	67	3.5	1.1	Y315S-75
			160-300	48-40					1.3	Y315S-75
	8	150SAZF/TP628-200-48	200	48	980	39.6	66	3.5	1.1	Y280M-55
			140-240	52-44					1.3	Y315S-75
T	1	200SAZF/TP311-600-18	600	18	1480	42.0	70	5	1.1	Y250M-55
			390-720	20-16					1.3	Y280S-75
	2	200SAZF/TP311-400-22	400	22	1480	34.2	70	5	1.1	Y225M-45
			260-480	25-17.5					1.3	Y250M-55
	3	200SAZF/TP311-500-15	500	15	1480	30.0	68	5	1.1	Y225S-37
			325-600	17-12					1.3	Y225M-45
	4	200SAZF/TP311-500-22	500	22	1480	42.8	70	5	1.1	Y250M-55
			325-600	25-17.5					1.3	Y280S-75
	5	200SAZF/TP311-340-10	340	10	980	13.6	68	5	1.1	Y200L ₁ -18.5
			220-400	11.5-8					1.3	Y200L ₂ -22
U	1	200SAZF/TP420-500-35	500	35	1480	59.6	80	4.5	1.1	Y280S-75
			315-600	39-31.5					1.3	Y280M-90
	2	200SAZF/TP420-460-30	460	30	1480	47.6	79	4.5	1.1	Y250M-55
			290-550	35-27					1.3	Y280S-75

SAZF 系列轻型渣浆泵 / SATP 系列工艺流程泵主要技术参数表

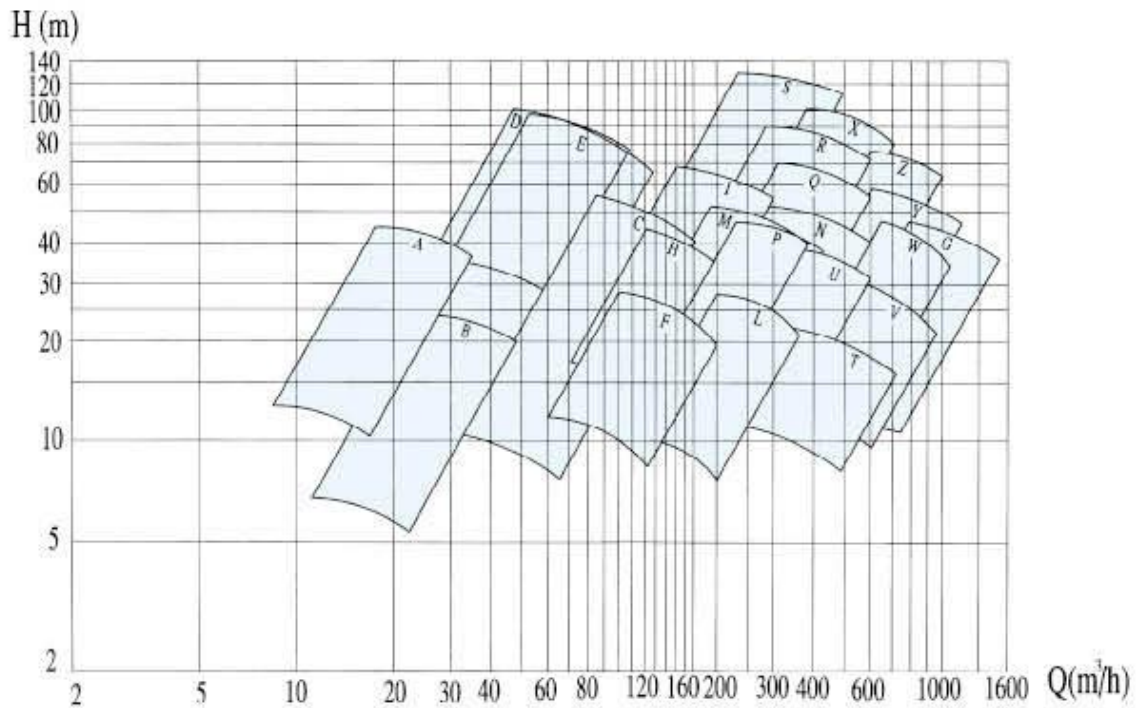
MAIN TECHNICAL PARAMETER LIST OF LIGHT-TYPE SAZF SLURRY PUMP / SATP PROCESS FLOW PUMP

类别 Type	序号 No.	规格型号 Specification type NO.	流量 Flow(m ³ /h)	扬程 Lift(m)	转速 Rotating speed (r/min)	轴功率 Shaft power (kw)	效率 Efficiency (%)	必须汽 蚀余量 NPSH (m)	浆体比重 Specific weight of pulp body	配用电动机功率 Power of matched electromotor (KW)
U	3	200SAZF/TP420-500-25	500	25	1480	43.6	78	4.5	1.1	Y250M-55
			325-600	27.5-22.5					1.3	Y280S-75
	4	200SAZF/TP420-420-25	420	25	1480	37.6	76	4.5	1.1	Y225M-45
			275-500	27.5-22.5					1.3	Y250M-55
	5	200SAZF/TP420-400-32	400	32	1480	44.1	79	4.5	1.1	Y250M-55
			300-480	35-30.5					1.3	Y280S-75
6	200SAZF/TP420-330-15	330	15	980	17.3	78	4.5	1.1	Y200L ₂ -22	
		220-390	17-12					1.3	Y225M-30	
V	1	200SAZF/TP412-800-25	800	25	1480	64.8	84	5	1.1	Y280M-90
			560-960	29-20.5					1.3	Y315S-110
	2	200SAZF/TP412-700-22	700	22	1480	49.9	84	5	1.1	Y280S-75
			450-840	25-18					1.3	Y280M-90
	3	200SAZF/TP412-650-25	650	25	1480	53.3	83	5	1.1	Y280S-75
			460-810	28-21					1.3	Y280M-90
	4	200SAZF/TP412-700-15	700	15	1480	36.7	78	5	1.1	Y250M-55
			450-840	17-12					1.3	Y280S-75
	5	200SAZF/TP412-600-22	600	22	1480	44.9	80	5	1.1	Y280S-75
			390-720	25-18					1.3	Y280S-75
	6	200SAZF/TP412-600-15	600	15	1480	32.7	75	5	1.1	Y225M-45
			390-720	17-12					1.3	Y250M-55
	7	200SAZF/TP412-530-11	530	11	980	20.1	79	5	1.1	Y225M-30
			380-630	12.5-8.5					1.3	Y225M-30
W	1	250SAZF/TP514-900-40	900	40	1480	127.3	77	5	1.1	Y315L ₁ -160
			590-1080	46-32					1.3	Y315L ₂ -200
	2	250SAZF/TP514-800-36	800	36	1480	104.6	75	5	1.1	Y315M-132
			560-960	40-31					1.3	Y315L ₁ -160
	3	250SAZF/TP514-700-35	700	35	1480	90.2	74	5	1.1	Y315S-110
			490-840	39-30					1.3	Y315M-132
	4	250SAZF/TP514-600-40	600	40	1480	88.3	74	5	1.1	Y315S-110
			420-720	44-32					1.3	Y315M-132
	5	250SAZF/TP514-600-35	600	35	1480	76.3	75	5	1.1	Y280M-90
			420-720	39-30					1.3	Y315S-110
	6	250SAZF/TP514-530-15	530	15	980	30.9	70	5	1.1	Y250M-37
			380-630	17-12					1.3	Y280S-45
G	1	250SAZF/TP515-1300-40	1300	40	1480	177.0	80	6	1.1	Y355M ₁ -220
			850-1560	46-32					1.3	Y355M ₂ -250

SAZF 系列轻型渣浆泵 / SATP 系列工艺流程泵主要技术参数表

MAIN TECHNICAL PARAMETER LIST OF LIGHT-TYPE SAZF SLURRY PUMP / SATP PROCESS FLOW PUMP

类别 Type	序号 No.	规格型号 Specification type NO.	流量 Flow(m ³ /h)	扬程 Lift(m)	转速 Rotating speed (r/min)	轴功率 Shaft power (kw)	效率 Efficiency (%)	必须汽 蚀余量 NPSH _r (m)	浆体比重 Specific weight of pulp body	配用电动机功率 Power of matched electromotor (KW)
G	2	250SAZF/TP515-1100-40	1100	40	1480	151.7	79	6	1.1	Y315L ₂ -200
			720-1320	46-32					1.3	Y355M ₁ -220
	3	250SAZF/TP515-1100-32	1100	32	1480	122.9	78	6	1.1	Y315L ₁ -160
			720-1320	36-26					1.3	Y315L ₂ -200
	4	250SAZF/TP515-1000-27	1000	27	1480	96.7	76	6	1.1	Y315M-132
			650-1200	31-22					1.3	Y315L ₁ -160
	5	250SAZF/TP515-1300-32	1300	32	1480	145.2	78	6	1.1	Y315L ₂ -200
			850-1560	36-26					1.3	Y355M ₁ -220
	6	250SAZF/TP515-1200-27	1200	27	1480	116.1	76	6	1.1	Y315L ₁ -160
			780-1440	31-22					1.3	Y315L ₂ -200
	7	250SAZF/TP515-1000-10	1000	10	980	35.4	77	6	1.1	Y280S-45
			650-1200	12-8					1.3	Y280M-55
X I	1	200SAZF/TP630-600-90	600	90	1480	210.1	70	5	1.1	Y355L ₁ -280
			420-700	98-81					1.3	Y355L ₂ -315
	2	200SAZF/TP630-570-83	570	83	1480	186.7	69	5	1.1	Y355M ₂ -250
			400-660	91-76					1.3	Y355L ₁ -280
	3	200SAZF/TP630-550-76	550	76	1480	167.4	68	5	1.1	Y355M ₁ -220
			380-630	83-70					1.3	Y355M ₂ -250
	4	200SAZF/TP630-450-85	450	85	1480	151.0	69	5	1.1	Y315L ₂ -200
			330-540	93-79					1.3	Y355M ₁ -220
X II	1	200SAZF/TP530-380-40	380	40	980	60.0	69	5	1.1	Y315M-90
			260-450	44-36					1.3	Y315M-90
Y	1	250SAZF/TP631-1000-50	1000	50	1480	166.1	82	5.5	1.1	Y355M ₁ -220
			700-1150	55-46					1.3	Y355M ₂ -250
	2	250SAZF/TP631-800-50	800	50	1480	134.5	81	5.5	1.1	Y315L ₂ -200
			560-960	55-45					1.3	Y355M ₁ -220
	3	250SAZF/TP631-900-40	900	40	1480	122.5	80	5.5	1.1	Y315L ₁ -160
			630-1050	44-36					1.3	Y315L ₂ -200
	4	250SAZF/TP631-650-50	650	50	1480	112.0	79	5.5	1.1	Y315M-132
			460-810	55-45					1.3	Y315L ₁ -160
	5	250SAZF/TP631-660-22	660	22	980	49.4	80	5.5	1.1	Y315S-75
			460-760	24-20					1.3	Y315S-75
Z	1	250SAZF/TP632-850-70	850	70	1480	207.7	78	5.5	1.1	Y355L ₁ -280
			600-1000	76-64					1.3	Y355L ₂ -315
	2	250SAZF/TP632-800-62	800	62	1480	175.4	77	5.5	1.1	Y355M ₁ -220
			560-960	68-57					1.3	Y355M ₂ -250
	3	250SAZF/TP632-650-70	650	70	1480	160.9	77	5.5	1.1	Y355M ₁ -220
			460-800	76-65					1.3	Y355M ₂ -250
	4	250SAZF/TP632-650-60	650	60	1480	139.7	76	5.5	1.1	Y315L ₂ -200
			460-800	65-56					1.3	Y315L ₂ -200
	5	250SAZF/TP632-580-30	580	30	980	63.2	75	5.5	1.1	Y315M-90
			400-690	33-27					1.3	Y315M-90

SAZF 系列轻型渣浆泵 / SATP 系列工艺流程泵运行特性范围
RUNNING-CHARACTERISTIC RANGE OF LIGHT-TYPE SAZF SLURRY PUMP / SATP PROCESS FLOW PUMP

SAZF 系列轻型渣浆泵配用轴承表
SAZF SERIES OF LIGHT SLURRY PUMP BEARING TABLE

转子规格 Rotor Spec	泵头端轴承型号 Pump Head Bearing Type	数量 (套) Qty (set)	联轴器端轴承型号 Coupling Bearing Type	数量 (套) Qty (set)
1#	NU2309EM	1	7308BM/DB	2
2#	NU2311EM	1	7310BM/DB	2
3#	NU2313EM	1	7312BM/DB	2
4#	NU2315EM	1	7314BM/DB	2
5#	NU2318EM	1	7316BM/DB	2
6#	NU2320EM	1	7320BM/DB	2

SATP 系列工艺流程泵配用轴承表
SATP SERIES OF PROCESS FLOW PUMP BEARING TABLE

转子规格 Rotor Spec	泵头端轴承型号 Pump Head Bearing Type	数量 (套) Qty (set)	联轴器端轴承型号 Coupling Bearing Type	数量 (套) Qty (set)
1#	NJ2309EM	1	7310BM/DB	2
2#	NJ2311EM	1	7312BM/DB	2
3#	NJ2313EM	1	7314BM/DB	2
4#	NJ2315EM	1	7316BM/DB	2
5#	NJ2318EM	1	7319BM/DB	2
6#	NJ2320EM	1	7322BM/DB	2

SAZJ 系列渣浆泵 / SAGB 系列工业流程泵

SAZJ SLURRY PUMPS / SAGB INDUSTRIAL PROCESS PUMPS

产品概述

SAZJ 系列双壳渣浆泵 / SAGB 系列单壳工业流程泵是单级、单吸、托架式悬臂离心泵，是我公司与有关科研院所合作开发的新型产品，该产品水力模型应用国内目前固、液两相流的最新研究成果，采用 CAD 计算机辅助优化设计而成，结构上吸收国内外百家之长，先进合理，性能可靠，运行平稳，加上具有特种耐蚀、耐磨材料冶炼铸造和热处理技术，充分体现了泵型设计与过流部件选材制造的完美结合，该产品是您更新换代、节能改造的最佳选择。

设计特点

- 1、过流部件水力模型采用 CAD 计算机辅助设计，使泵的效率有明显提高，试验后最高效率可达 78% 左右；
- 2、为便于检修和拆卸，设有拆卸环，避免了因不能拆卸而造成的割轴现象；
- 3、该系列泵设有可调节叶轮间隙的轴承盒，通过调整螺钉和压紧螺母，使轴承盒带动泵轴向移动，保证叶轮与前、后护板间隙适中。
- 4、托架结构为水平中开式，易组装和拆卸，结构简单、维修方便；
- 5、密封形式多样：动力加填料密封、动力加机械密封（机械密封有干式、注水式单端面、注水双端面组合式），供用户选择；
- 6、同类别 SAZJ、SAGB 系列泵传动部分、密封部分和底座均可互换通用。

用途

该系列产品使用于输送含固体颗粒、酸、碱等磨蚀性液体介质，可广泛应用冶金、选矿、化工、电厂、洗煤、河道疏浚、供水、市政排污等行业。

材料

与介质接触的过流部件，常用材料如下：
KmTBCr26、ZG45Mn2、A49、2Cr13、20 合金钢、低铬合金等。

INTRODUCTION TO PRODUCTS

SAZJ double-volute slurry pumps/SAGB single volute industrial process pumps are single stage, single suction and pedestal-based cantilever pump centrifugal pumps, which are our products developed between our company and scientific research institutes. The hydraulic model of the products, adopting the latest achievement in solid and hydraulic phase at home, are designed with computer-aid CAD for optimization, its structure borrows the advantages of other products at home and abroad, which are advanced and rational with reliable performance, stable operation as well as special corrosion and abrasion resisting materials, metallurgy casting and heat treatment techniques, it fully embodies the perfect combination of pump design and filtering parts selection and process, and the product is the optimal selection for your upgrade and energy saving reconstruction.

DESIGN FEATURES

1. The hydraulic model of flow parts is designed with computer-aid CAD system, which improve the efficiency of pump obviously, and the max efficiency can reach about 78% (proved in tests).
2. In order to make it easy for repair and disassembly, a disassembly ring is designed to avoid the shaft cutting due to failure of the disassembly.
3. The pumps are designed with bearing box where the impeller clearance can be adjusted, adjust the bolt and clamp the nut to make the bearing box drive the pump shaft to move, and guarantee proper clearance between the impeller and the front and back cover sheet.
4. The pedestal is horizontal middle opening, which is easy to assemble or disassemble, and the structure is simple and easy for repair.
5. Diverse sealing: The user can select: power + filling for sealing, power+ mechanical sealing (type of mechanical sealing: dry, water filling one end surface, water filling double-end surface)
6. Similarly the drive components, sealing parts and basis of SAZJ and SAGB pumps can be universal.

PURPOSES

The products can be used for conveyance of corrosive liquid medium containing solid particles, acid alkali and so on, which can be widely used in metallurgy, mineral dressing, chemical industry, power plants, coal washing, river-way dredge, water supply, municipal pollution discharge and the like.

MATERIALS

Flow parts contacting medium adopt materials including: KmTBCr26, ZG45Mn2, A49, 2Cr13, 20 alloy steel, and low chrome alloy.

泵型号举例说明 ILLUSTRATION OF PUMP TYPES



SAZJ 系列渣浆泵的结构与使用范围

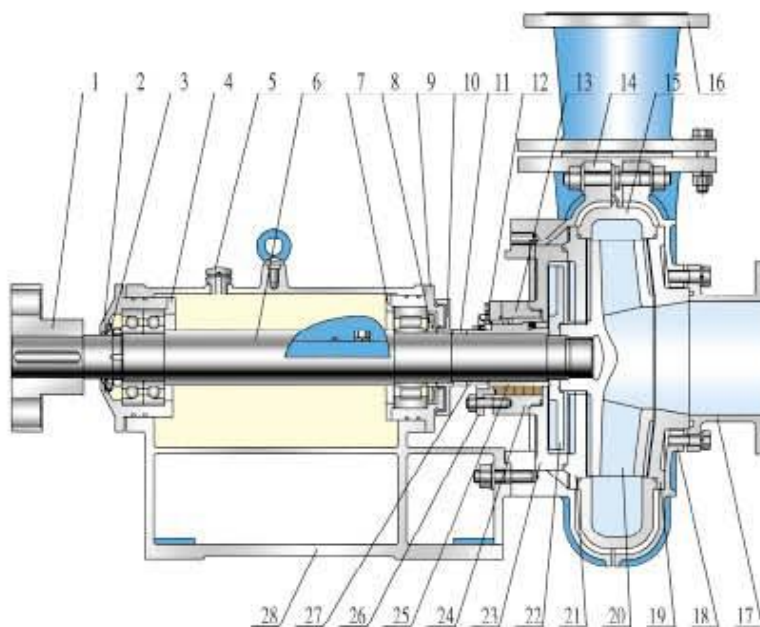
SAZJ SERIES SLURRY PUMP STRUCTURE AND SCOPE OF USE

使用范围

- 1、适合于输送含固体颗粒比重在 1.1-2t/m²，含碱（PH 值大于 8）、含酸（PH 值 1-6）的磨蚀性浆液；
- 2、输送介质最大体积浓度可达 25%，最大重量浓度可达 65-70%；
- 3、输送介质温度 ≤ 140℃。

APPLICABILITY

1. It is applicable for conveyance of corrosive slurry containing solid particles with proportion of 1.1-2t/m², alkali content (Ph value >8), acid content (Ph value 1-6),
2. The max volume concentration of medium for conveyance can reach 25%, and the max weight concentration can reach 65-70%,
3. The temperature of medium for conveyance is not more than 140℃.



- | | | | |
|----------|----------|--------------------------------|----------------------------|
| 1. 泵侧联轴器 | 15. 泵壳 | 1. Coupling at pump side | 15. Pump case |
| 2. 后轴承盒 | 16. 排出管 | 2. Back bearing box | 16. Discharge pipe |
| 3. 后风轮 | 17. 吸入管 | 3. Back wind wheel | 17. Suction pipe |
| 4. 后轴承盖 | 18. 前泵盖 | 4. Back bearing cap | 18. Front pump cover |
| 5. 透气盖 | 19. 前护板 | 5. Ventilation cover | 19. Front guard sheet |
| 6. 泵轴 | 20. 叶轮 | 6. Pump shaft | 20. Impeller |
| 7. 前轴承盖 | 21. 后护板 | 7. Front bearing cap | 21. Back guard sheet |
| 8. 前风轮 | 22. 副叶轮 | 8. Front wind wheel | 22. Accessory impeller |
| 9. 前轴承盒 | 23. 副叶轮箱 | 9. Front bearing box | 23. Accessory impeller box |
| 10. 甩水环 | 24. 填料室 | 10. Throw ring | 24. Filling chamber |
| 11. 拆卸环 | 25. 前轴套 | 11. Disassembly ring | 25. Front shaft lining |
| 12. 机械密封 | 26. 填料压盖 | 12. Mechanical sealing | 26. Filling capping |
| 13. 机封腔 | 27. 后轴套 | 13. Mechanical sealing chamber | 27. Back shaft lining |
| 14. 后泵盖 | 28. 托架 | 14. Back pump cover | 28. Bracket |

SAGB 系列工业流程泵结构与使用范围

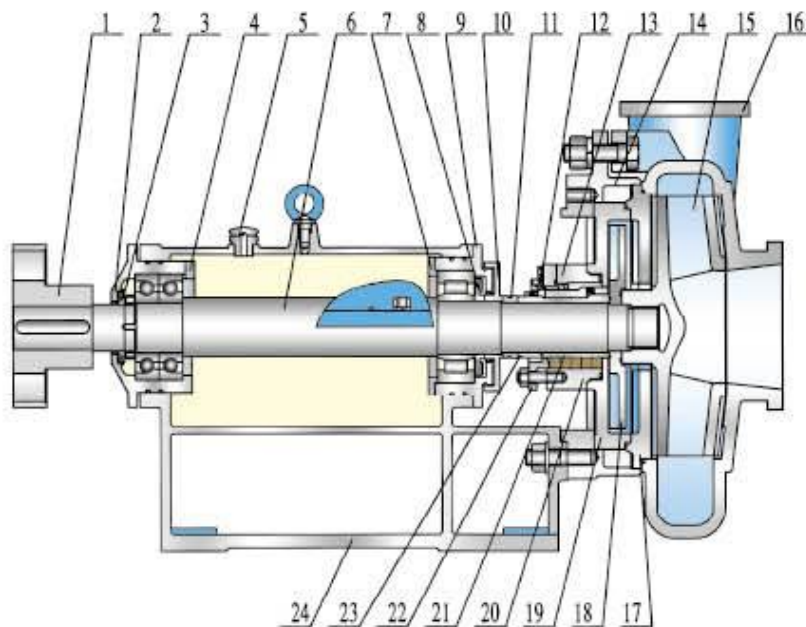
STRUCTURE AND APPLICATION RANGE OF SAGB SERIES INDUSTRIAL PROCESS PUMP

使用范围

1. 在低磨蚀性情况下，适用于生产工艺中输送固含浓度小于 35%，固体颗粒小于 0.5mm（有时可含少许 20mm 以下的固形物）；
2. 含碱浓度小于 350g/l 的悬浮液，也适用于输送含酸或其他弱腐蚀性污水、渣浆等；
3. 输送介质温度 $\leq 80^{\circ}\text{C}$ 。

APPLICABILITY

1. Under low abrasion, it is applicable for conveyance of liquid with solid concentration less than 35%, solid particle less than 0.5mm (or containing solids less than 20mm sometimes),
2. It is applicable for suspension liquid with alkali thickness less than 350g/l, sewage and slurry containing acid or low corrosivity,
3. The temperature of medium conveyed is not more than 80°C .



- | | | | |
|----------|----------|--------------------------|--------------------------------|
| 1. 泵侧联轴器 | 13. 机封腔 | 1. Coupling at pump side | 13. Mechanical sealing chamber |
| 2. 后轴承盒 | 14. 后泵盖 | 2. Back bearing box | 14. Back pump cover |
| 3. 后风轮 | 15. 叶轮 | 3. Back wind wheel | 15. Impeller |
| 4. 后轴承盖 | 16. 泵壳 | 4. Back bearing cap | 16. Pump case |
| 5. 透气盖 | 17. 后护板 | 5. Ventilation cover | 17. Back guard sheet |
| 6. 泵轴 | 18. 副叶轮 | 6. Pump shaft | 18. Accessory impeller |
| 7. 前轴承盖 | 19. 副叶轮箱 | 7. Front bearing cap | 19. Accessory impeller box |
| 8. 前风轮 | 20. 填料室 | 8. Front wind wheel | 20. Filling chamber |
| 9. 前轴承盒 | 21. 前轴套 | 9. Front bearing box | 21. Front shaft lining |
| 10. 甩水环 | 22. 填料压盖 | 10. Throw ring | 22. Filling capping |
| 11. 拆卸环 | 23. 后轴套 | 11. Disassembly ring | 23. Back shaft lining |
| 12. 机械密封 | 24. 托架 | 12. Mechanical sealing | 24. Bracket |

SAZJ 系列渣浆泵 / SAGB 系列工业流程泵主要技术参数表

MAIN TECHNICAL OF SAZJ SLURRY PUMPS/SAGB INDUSTRIAL FLOW PUMPS

类别 Type	序号 No.	规格型号 Specification type NO.	流量 Flow(m ³ /h)	扬程 Lift(m)	转速 Rotating speed (r/min)	轴功率 Shaft power (kw)	效率 Efficiency (%)	必须汽 蚀余量 NPSH, (m)	浆体比重 Specific weight of pulp body	配用电动机功率 Power of matched electromotor (KW)
A	1	50SAZJ/GB1-40-25	40	25	1460	5.7	48	2.4	1.1	Y132M-7.5
			28-48	27.5-22.5					1.3	Y160M-11
									1.6	Y160M-11
	2	50SAZJ/GB1-36-22	36	22	1460	4.7	46	2.4	1.1	Y132M-7.5
			25-42	24-20					1.3	Y160M-11
									1.6	Y160M-11
	3	50SAZJ/GB1-32-18	32	18	1440	3.6	43	2.4	1.1	Y132S-5.5
			22-38	20-16					1.3	Y132M-7.5
									1.6	Y132M-7.5
	4	50SAZJ/GB1-25-10	25	10	960	1.6	43	2.4	1.1	Y112M-2.2
			18-30	12-8					1.3	Y132S-3
									1.6	Y132M ₂ -4
	5	50SAZJ/GB1-15-10	15	10	960	1.0	40	2.4	1.1	Y100L-1.5
			10-18	12-8					1.3	Y112M-2.2
									1.6	Y132S-3
B	1	65SAZJ/GB1-80-44	80	44	1470	18.1	53	3.2	1.1	Y200L-30
			55-95	46-39					1.3	Y200L-30
									1.6	Y225S-37
	2	65SAZJ/GB1-50-50	50	50	1470	13.6	50	3.2	1.1	Y180M-18.5
			35-60	54-46					1.3	Y180L-22
									1.6	Y200L-30
	3	65SAZJ/GB1-45-42	45	42	1470	11.4	45	3.2	1.1	Y160L-15
			31-54	46-38					1.3	Y180M-18.5
									1.6	Y180L-22
	4	65SAZJ/GB1-40-36	40	36	1460	9.1	43	3.2	1.1	Y160L-15
			28-48	39-33					1.3	Y160L-15
									1.6	Y180M-18.5
	5	65SAZJ/GB1-30-50	30	50	1470	10.2	40	3.2	1.1	Y160L-15
			21-36	54-46					1.3	Y180M-18.5
									1.6	Y180L-22
	6	65SAZJ/GB1-25-45	25	45	1460	8.8	35	3.2	1.1	Y160L-15
			18-30	49-41					1.3	Y160L-15
									1.6	Y180M-18.5
	7	65SAZJ/GB1-20-35	20	35	1460	6.0	32	3.2	1.1	Y160M-11
			14-25	38-32					1.3	Y160M-11
									1.6	Y160L-15
	8	65SAZJ/GB1-30-22	30	22	960	4.0	45	3.2	1.1	Y132M ₂ -5.5
			21-36	24-20					1.3	Y160M-7.5
									1.6	Y160M-7.5
C	1	80SAZJ/GB1-100-38	100	38	1470	15.2	68	3.2	1.1	Y180M-18.5
			70-120	42-35					1.3	Y180L-22
									1.6	Y200L-30
	2	80SAZJ/GB1-80-36	80	36	1470	12.4	63	3.2	1.1	Y160L-15
			56-96	39-33					1.3	Y180M-18.5
									1.6	Y180L-22
	3	80SAZJ/GB1-70-30	70	30	1460	9.4	61	3.2	1.1	Y160M-11
			49-84	33-27					1.3	Y160L-15
									1.6	Y180M-18.5
	4	80SAZJ/GB1-65-26	65	26	1460	7.7	60	3.2	1.1	Y160M-11
			45-78	28-23					1.3	Y160M-11
									1.6	Y160L-15

SAZJ 系列渣浆泵 / SAGB 系列工业流程泵主要技术参数表

MAIN TECHNICAL OF SAZJ SLURRY PUMPS/SAGB INDUSTRIAL FLOW PUMPS

类别 Type	序号 No.	规格型号 Specification type NO.	流量 Flow (m ³ /h)	扬程 Lift (m)	转速 Rotating speed (r/min)	轴功率 Shaft power (kw)	效率 Efficiency (%)	必须汽蚀余量 NPSH _r (m)	浆体比重 Specific weight of pulp body	配用电机功率 Power of matched electromotor (KW)
C	5	80SAZJ/GB1-50-15	50	15	960	3.4	60	3.2	1.1	Y132M ₂ -5.5
			35-60	17-12					1.3	Y132M ₂ -5.5
									1.6	Y160M-7.5
	6	80SAZJ/GB1-50-10	50	10	960	2.3	60	3.2	1.1	Y132M ₁ -4
			35-60	12-8					1.3	Y132M ₂ -5.5
									1.6	Y132M ₂ -5.5
D	1	80SAZJ/GB2-120-65	120	65	1470	31.2	68	3.5	1.1	Y225M-45
			80-150	69-61					1.3	Y250M-55
									1.6	Y280S-75
	2	80SAZJ/GB2-100-60	100	60	1480	26.4	62	3.5	1.1	Y225S-37
			70-120	65-55					1.3	Y225M-45
									1.6	Y250M-55
	3	80SAZJ/GB2-90-55	90	55	1480	22.0	61	3.5	1.1	Y200L-30
			56-108	60-51					1.3	Y225S-37
									1.6	Y225M-45
	4	80SAZJ/GB2-100-50	100	50	1480	22.7	60	3.5	1.1	Y200L-30
			70-120	54-46					1.3	Y225S-37
									1.6	Y225M-45
	5	80SAZJ/GB2-85-45	85	45	1470	17.4	60	3.5	1.1	Y180L-22
			60-102	49-41					1.3	Y200L-30
									1.6	Y225S-37
	6	80SAZJ/GB2-65-28	65	26	970	9.0	51	3.5	1.1	Y160L-11
			45-78	28-23					1.3	Y180L-15
									1.6	Y200L ₁ -18.5
	7	80SAZJ/GB2-50-20	50	20	960	5.4	50	3.5	1.1	Y160M-7.5
			35-60	22-18					1.3	Y160L-11
									1.6	Y160L-11
E	1	100SAZJ/GB2-260-35	260	35	1480	33.5	74	3.1	1.1	Y225M-45
			180-300	37-31					1.3	Y250M-55
									1.6	Y280S-75
	2	100SAZJ/GB2-220-30	220	30	1470	25.0	72	3.1	1.1	Y225S-37
			150-260	36-27.5					1.3	Y225S-37
									1.6	Y225M-45
	3	100SAZJ/GB2-150-36	150	36	1470	21.0	70	3.1	1.1	Y200L-30
			110-190	38.5-33					1.3	Y225S-37
									1.6	Y225M-45
	4	100SAZJ/GB2-135-30	135	30	1470	16.2	68	3.1	1.1	Y180L-22
			95-162	33-27					1.3	Y200L-30
									1.6	Y225S-37
	5	100SAZJ/GB2-125-25	125	25	1470	12.5	68	3.1	1.1	Y180M-18.5
			88-150	27.5-22.5					1.3	Y180L-22
									1.6	Y200L-30
	6	100SAZJ/GB2-200-22	200	22	1470	17.6	68	3.1	1.1	Y180L-22
			140-240	24-20					1.3	Y200L-30
									1.6	Y225S-37
	7	100SAZJ/GB2-200-15	200	15	1470	12.0	68	3.1	1.1	Y180M-18.5
			140-240	17-13					1.3	Y180L-22
									1.6	Y200L-30
8	100SAZJ/GB2-100-15	100	15	970	6.0	68	3.1	1.1	Y160L-11	
		70-120	17-13					1.3	Y160L-11	
								1.6	Y180L-15	

SAZJ 系列渣浆泵 / SAGB 系列工业流程泵主要技术参数表

MAIN TECHNICAL OF SAZJ SLURRY PUMPS/SAGB INDUSTRIAL FLOW PUMPS

类别 Type	序号 No.	规格型号 Specification type NO.	流量 Flow(m ³ /h)	扬程 Lift(m)	转速 Rotating speed (r/min)	轴功率 Shaft power (kw)	效率 Efficiency (%)	必须汽 蚀余量 NPSH (m)	浆体比重 Specific weight of pulp body	配用电动机功率 Power of matched electromotor (KW)
F	1	100SAZJ/GB3-180-100	180	100	1480	79.1	62	4	1.1	Y315S-110
			126-216	116-93					1.3	Y315M-132
									1.6	Y315L ₁ -160
	2	100SAZJ/GB3-170-85	170	85	1480	64.5	61	4	1.1	Y280M-90
			120-204	92-80					1.3	Y315S-110
									1.6	Y315M-132
	3	100SAZJ/GB3-160-72	160	72	1480	54.1	58	4	1.1	Y280S-75
			112-192	77-67					1.3	Y280M-90
									1.6	Y315S-110
	4	100SAZJ/GB3-100-100	100	100	1480	48.6	56	4	1.1	Y280S-75
			70-120	109-92					1.3	Y280M-90
									1.6	Y315S-110
	5	100SAZJ/GB3-100-80	100	80	1480	38.9	56	4	1.1	Y250M-55
			70-120	85-75					1.3	Y280S-75
									1.6	Y280S-75
	6	100SAZJ/GB3-90-70	90	70	1480	31.2	55	4	1.1	Y225M-45
			63-108	75-66					1.3	Y250M-55
									1.6	Y280S-75
7	100SAZJ/GB3-120-42	120	42	980	22.1	62	4	1.1	Y225M-30	
		84-144	46-39					1.3	Y250M-37	
								1.6	Y280S-45	
8	100SAZJ/GB3-100-35	100	35	980	15.6	61	4	1.1	Y200L ₂ -22	
		70-120	38-32					1.3	Y225M-30	
								1.6	Y250M-37	
9	100SAZJ/GB3-65-42	65	42	980	14.3	52	4	1.1	Y200L ₁ -18.5	
		45-78	46-39					1.3	Y200L ₂ -22	
								1.6	Y225M-30	
T	1	100SAZJ/GB3-180-120	180	120	1480	91.9	64	4.5	1.1	Y315M-132
			130-220	128-110					1.3	Y315L ₁ -160
									1.6	Y315L ₂ -200
	2	100SAZJ/GB3-160-108	160	108	1480	75.9	62	4.5	1.1	Y315S-110
			110-190	118-98					1.3	Y315M-132
									1.6	Y315L ₁ -160
	3	100SAZJ/GB3-120-52	120	52	980	27.4	62	4.5	1.1	Y250M-37
			80-150	57-46					1.3	Y280S-45
									1.6	Y280M-55
	4	100SAZJ/GB3-100-47	100	47	980	21.3	60	4.5	1.1	Y225M-30
			70-120	51-42					1.3	Y250M-37
									1.6	Y280S-45
G	1	100SAZJ/GB3-200-70	200	70	1480	56.9	67	3.5	1.1	Y280S-75
			140-240	73-66					1.3	Y280M-90
									1.6	Y315S-110
	2	100SAZJ/GB3-250-60	250	60	1480	58.4	70	3.5	1.1	Y280S-75
			175-300	65-56					1.3	Y280M-90
									1.6	Y315S-110
	3	100SAZJ/GB3-220-55	220	55	1480	47.1	70	3.5	1.1	Y280S-75
			160-260	60-51					1.3	Y280S-75
									1.6	Y280M-90
	4	100SAZJ/GB3-260-50	260	50	1480	52.1	68	3.5	1.1	Y280S-75
			185-310	54-46					1.3	Y280M-90
									1.6	Y315S-110

SAZJ 系列渣浆泵 / SAGB 系列工业流程泵主要技术参数表

MAIN TECHNICAL OF SAZJ SLURRY PUMPS/SAGB INDUSTRIAL FLOW PUMPS

类别 Type	序号 No.	规格型号 Specification type NO.	流量 Flow(m ³ /h)	扬程 Lift(m)	转速 Rotating speed (r/min)	轴功率 Shaft power (kw)	效率 Efficiency (%)	必须汽 蚀余量 NPSH _r (m)	浆体比重 Specific weight of pulp body	配用电机功率 Power of matched electromotor (KW)
G	5	100SAZJ/GB3-200-50	200	50	1480	41.9	65	3.5	1.1	Y250M-55
			140-240	54-46					1.3	Y280S-75
									1.6	Y280S-75
	6	100SAZJ/GB3-230-42	230	42	1480	40.5	65	3.5	1.1	Y250M-55
			160-270	46-38					1.3	Y280S-75
									1.6	Y280S-75
	7	100SAZJ/GB3-250-46	250	46	1480	48.2	65	3.5	1.1	Y280S-75
			175-300	50-42					1.3	Y280S-75
									1.6	Y280M-90
	8	100SAZJ/GB3-160-45	160	45	1480	31.1	63	3.5	1.1	Y225M-45
			112-192	49-41					1.3	Y250M-55
									1.6	Y280S-75
	9	100SAZJ/GB3-200-25	200	25	980	18.7	73	3.5	1.1	Y225M-30
			140-240	28-23					1.3	Y225M-30
									1.6	Y250M-37
H	1	150SAZJ/GB2-300-48	300	48	1480	53.0	74	3.3	1.1	Y280S-75
			210-360	52-42					1.3	Y280M-90
									1.6	Y315S-110
	2	150SAZJ/GB2-300-42	300	42	1480	46.4	74	3.3	1.1	Y280S-75
			210-360	46-38					1.3	Y280S-75
									1.6	Y280M-90
	3	150SAZJ/GB2-250-40	250	40	1480	36.8	74	3.3	1.1	Y250M-55
			190-300	44-36					1.3	Y280S-75
									1.6	Y280S-75
	4	150SAZJ/GB2-300-30	300	30	1480	33.6	73	3.3	1.1	Y225M-45
			210-360	33-27					1.3	Y250M-55
									1.6	Y250M-55
	5	150SAZJ/GB2-200-32	200	32	1480	24.5	71	3.3	1.1	Y225S-37
			140-240	35-29					1.3	Y225M-45
									1.6	Y250M-55
6	150SAZJ/GB2-200-21	200	21	980	16.8	68	3.3	1.1	Y200L ₂ -22	
		140-240	23-19					1.3	Y225M-30	
								1.6	Y250M-37	
7	150SAZJ/GB2-200-18	200	18	980	14.9	66	3.3	1.1	Y200L ₁ -18.5	
		140-240	20-16					1.3	Y200L ₂ -22	
								1.6	Y225M-30	
8	150SAZJ/GB2-150-18	150	18	980	11.1	66	3.3	1.1	Y180L-15	
		110-180	20-16					1.3	Y200L ₁ -18.5	
								1.6	Y200L ₂ -22	
Q	1	150SAZJ/GB2-300-25	300	25	1480	26.5	77	3.3	1.1	Y225S-37
			210-360	28-23					1.3	Y225M-45
									1.6	Y250M-55
	2	150SAZJ/GB2-300-21	300	21	1480	22.9	75	3.3	1.1	Y200L-30
			210-360	23-19					1.3	Y225S-37
									1.6	Y225M-45
	3	150SAZJ/GB2-250-18	250	18	1480	17.0	72	3.3	1.1	Y180L-22
			180-300	20-16					1.3	Y200L-30
									1.6	Y225S-37
	4	150SAZJ/GB2-200-11	200	11	960	8.6	70	3.3	1.1	Y160L-11
			140-240	12-9					1.3	Y180L-15
									1.6	Y200L-18.5

SAZJ 系列渣浆泵 / SAGB 系列工业流程泵主要技术参数表

MAIN TECHNICAL OF SAZJ SLURRY PUMPS/SAGB INDUSTRIAL FLOW PUMPS

类别 Type	序号 No.	规格型号 Specification type NO.	流量 Flow(m ³ /h)	扬程 Lift(m)	转速 Rotating speed (r/min)	轴功率 Shaft power (kw)	效率 Efficiency (%)	必须汽 蚀余量 NPSH, (m)	浆体比重 Specific weight of pulp body	配用电动机功率 Power of matched electromotor (KW)
L	1	150SAZJ/GB3-500-50	500	50	1480	88.4	77	3.4	1.1	Y315S-110
			350-600	56-45					1.3	Y315M-132
									1.6	Y315L ₁ -160
	2	150SAZJ/GB3-400-50	400	50	1480	72.6	75	3.4	1.1	Y280M-90
			280-480	55-45					1.3	Y315S-110
									1.6	Y315M-132
	3	150SAZJ/GB3-450-43	450	43	1480	69.3	76	3.4	1.1	Y280M-90
			320-540	47-40					1.3	Y315S-110
									1.6	Y315M-132
	4	150SAZJ/GB3-450-36	450	36	1480	59.6	74	3.4	1.1	Y280S-75
			320-540	39-33					1.3	Y280M-90
									1.6	Y315S-110
	5	150SAZJ/GB3-350-40	350	40	1480	52.2	73	3.4	1.1	Y280S-75
			250-420	44-36					1.3	Y280M-90
									1.6	Y315S-110
	6	150SAZJ/GB3-320-22	320	22	980	24.9	77	3.4	1.1	Y250M-37
			230-384	24-20					1.3	Y280S-45
									1.6	Y280M-55
	7	150SAZJ/GB3-300-18	300	18	980	19.6	75	3.4	1.1	Y225M-30
			210-360	20-16					1.3	Y250M-37
									1.6	Y250M-37
	8	150SAZJ/GB3-300-15	300	15	980	16.6	74	3.4	1.1	Y200L ₂ -22
			210-360	17-12					1.3	Y225M-30
									1.6	Y250M-37
M	1	150SAZJ/GB4-500-120	500	120	1480	236.8	69	4.5	1.1	Y355L ₂ -315
			350-600	129-110					1.3	YKK4004-355
									1.6	YKK4005-400
	2	150SAZJ/GB4-450-100	450	100	1480	180.2	68	4.5	1.1	Y355L ₂ -280
			315-540	109-92					1.3	Y355L ₂ -315
									1.6	YKK4004-355
	3	150SAZJ/GB4-430-90	430	90	1480	159.7	66	4.5	1.1	Y355M ₁ -220
			300-516	98-83					1.3	Y355M ₂ -250
									1.6	Y355L ₂ -280
	4	150SAZJ/GB4-400-80	400	80	1480	136.2	64	4.5	1.1	Y315L ₂ -200
			280-480	87-73					1.3	Y355M ₁ -220
									1.6	Y355M ₂ -250
	5	150SAZJ/GB4-220-110	220	110	1480	111.7	59	4.5	1.1	Y315L ₁ -160
			180-270	119-103					1.3	Y315L ₁ -160
									1.6	Y315L ₂ -200
	6	150SAZJ/GB4-330-53	330	53	980	70.0	68	4.5	1.1	Y315M-90
			230-395	58-48					1.3	Y315L ₁ -110
									1.6	Y355L ₂ -132
	7	150SAZJ/GB4-300-40	300	40	980	49.5	66	4.5	1.1	Y315S-75
			210-360	44-36					1.3	Y315S-75
									1.6	Y315M-90
	8	150SAZJ/GB4-400-55	400	55	980	86.8	69	4.5	1.1	Y315L ₁ -110
			280-480	60-50					1.3	Y315L ₂ -132
									1.6	Y355M ₁ -160
K	1	150SAZJ/GB3-300-80	300	80	1480	93.4	70	4.1	1.1	Y315M-132
			210-360	86-75					1.3	Y315L ₁ -160
									1.6	Y315L ₁ -160

SAZJ 系列渣浆泵 / SAGB 系列工业流程泵主要技术参数表

MAIN TECHNICAL OF SAZJ SLURRY PUMPS/SAGB INDUSTRIAL FLOW PUMPS

类别 Type	序号 No.	规格型号 Specification type NO.	流量 Flow(m ³ /h)	扬程 Lift(m)	转速 Rotating speed (r/min)	轴功率 Shaft power (kw)	效率 Efficiency (%)	必须汽 蚀余量 NPSH _r (m)	浆体比重 Specific weight of pulp body	配用电机功率 Power of matched electromotor (KW)
K	2	150SAZJ/GB3-300-70	300	70	1480	85.4	67	4.1	1.1	Y315S-110
			210-360	76-65					1.3	Y315M-132
									1.6	Y315L ₁ -160
	3	150SAZJ/GB3-400-60	400	60	1480	94.7	69	4.1	1.1	Y315S-110
			280-480	65-56					1.3	Y315M-132
									1.6	Y315L ₁ -160
	4	150SAZJ/GB3-300-60	300	60	1480	74.3	66	4.1	1.1	Y280M-90
			210-360	65-56					1.3	Y315S-110
									1.6	Y315M-132
	5	150SAZJ/GB3-250-35	250	35	980	35.0	68	4.1	1.1	Y280S-45
			180-300	38-32					1.3	Y280M-55
									1.6	Y315S-75
	6	150SAZJ/GB3-200-30	200	30	980	24.0	68	4.1	1.1	Y225M-30
			140-240	33-27					1.3	Y250M-37
									1.6	Y280S-45
	7	150SAZJ/GB3-200-25	200	25	980	20.0	68	4.1	1.1	Y225M-30
			140-240	28-23					1.3	Y225M-30
									1.6	Y250M-37
N	1	150SAZJ/GB4-500-80	500	80	1480	145.2	75	4.5	1.1	Y315L ₂ -200
			350-600	82-72					1.3	Y355M ₁ -220
									1.6	Y355L ₂ -280
	2	150SAZJ/GB4-450-75	450	75	1480	124.4	74	4.5	1.1	Y315L ₁ -160
			320-540	81-68					1.3	Y315L ₂ -200
									1.6	Y355M ₁ -220
	3	150SAZJ/GB4-400-70	400	70	1480	103.0	74	4.5	1.1	Y315M-132
			280-480	75-65					1.3	Y315L ₁ -160
									1.6	Y315L ₂ -200
	4	150SAZJ/GB4-450-32	450	32	980	53.0	74	4.5	1.1	Y315S-75
			320-540	36-29					1.3	Y315S-75
									1.6	Y315M-90
	5	150SAZJ/GB4-320-35	320	35	980	41.8	73	4.5	1.1	Y280M-55
			260-400	36.5-31.5					1.3	Y315S-75
									1.6	Y315S-75
W	1	200SAZJ/GB5-800-70	800	70	1480	195.5	78	4.5	1.1	Y355M ₁ -250
			600-960	76-65					1.3	Y355L ₂ -315
									1.6	Y355-375
	2	200SAZJ/GB4-650-70	650	70	1480	158.9	78	4.5	1.1	Y355M ₁ -220
			460-780	76-65					1.3	Y355M ₁ -250
									1.6	Y355L ₂ -315
	3	200SAZJ/GB4-600-60	600	60	1480	127.3	77	4.5	1.1	Y315L ₁ -160
			420-720	65-56					1.3	Y315L ₂ -200
									1.6	Y355M ₁ -250
	4	200SAZJ/GB4-560-55	560	55	1480	110.4	76	4.5	1.1	Y315M-132
			400-670	60-51					1.3	Y315L ₁ -160
									1.6	Y315L ₂ -200
	5	200SAZJ/GB4-600-30	600	30	980	62.8	78	4.5	1.1	Y315M-90
			42-720	33-27					1.3	Y315L ₁ -110
									1.6	Y315L ₂ -132
	6	200SAZJ/GB4-550-25	550	25	980	48.0	78	4.5	1.1	Y315S-75
			400-660	27-22					1.3	Y315M-90
									1.6	Y315L ₁ -110

SAZJ 系列渣浆泵 / SAGB 系列工业流程泵主要技术参数表

MAIN TECHNICAL OF SAZJ SLURRY PUMPS/SAGB INDUSTRIAL FLOW PUMPS

类别 Type	序号 No.	规格型号 Specification type NO.	流量 Flow(m ³ /h)	扬程 Lift(m)	转速 Rotating speed (r/min)	轴功率 Shaft power (kw)	效率 Efficiency (%)	必须汽 蚀余量 NPSH (m)	浆体比重 Specific weight of pulp body	配用电动机功率 Power of matched electromotor (KW)
P	1	200SAZJ/GB5-1000-100	1000	100	1480	373.1	73	4.5	1.1	YKK4503-450
			700-1100	116-93					1.3	YKK5001-560
									1.6	YKK5002-630
	2	200SAZJ/GB4-800-50	800	50	980	149.2	73	4.5	1.1	Y355M ₂ -185
			560-960	55-45					1.3	Y355L ₁ -220
									1.6	Y355L ₂ -250
	3	200SAZJ/GB4-740-43	740	43	980	118.7	73	4.5	1.1	Y355M ₁ -160
			520-880	47-40					1.3	Y355M ₂ -200
									1.6	Y355L ₁ -220
	4	200SAZJ/GB4-700-36	700	36	980	95.3	72	4.5	1.1	Y315L ₁ -110
			490-840	39-33					1.3	Y315L ₂ -132
									1.6	Y355M ₂ -185
	5	200SAZJ/GB4-650-55	650	55	980	133.4	73	4.5	1.1	Y355M ₁ -160
			460-780	59-51					1.3	Y355M ₂ -200
									1.6	Y355L ₂ -250
	6	200SAZJ/GB4-600-50	600	50	980	116.7	70	4.5	1.1	Y315L ₂ -132
			420-720	55-46					1.3	Y355M ₁ -160
									1.6	Y355M ₂ -200
	7	200SAZJ/GB4-600-40	600	40	980	96.1	68	4.5	1.1	Y315L ₁ -110
			420-720	43-36					1.3	Y315L ₂ -132
									1.6	Y355M ₁ -160
	8	200SAZJ/GB4-600-28	600	28	740	62.7	73	4.5	1.1	Y315L ₁ -90
			420-720	31-25					1.3	Y315L ₂ -110
									1.6	Y355M ₂ -132
9	200SAZJ/GB4-500-30	500	30	740	56.0	73	4.5	1.1	Y315M-75	
		350-600	33-27					1.3	Y315L ₁ -90	
								1.6	Y315L ₂ -110	
U	1	200SAZJ/GB2-600-25	600	25	1480	55.2	74	4.5	1.1	Y280S-75
			420-720	27-22					1.3	Y280M-90
									1.6	Y315S-110
	2	200SAZJ/GB2-550-20	550	20	1480	41.6	72	4.5	1.1	Y250M-55
			400-660	33-27					1.3	Y280S-75
									1.6	Y280M-90
	3	200SAZJ/GB2-500-18	500	18	1480	36.0	68	4.5	1.1	Y225M-45
			350-600	20-16					1.3	Y250M-55
									1.6	Y280S-75
	4	200SAZJ/GB2-400-11	400	11	980	17.1	70	4.5	1.1	Y225M-30
			300-480	13-9					1.3	Y225M-30
									1.6	Y250M-37
V	1	200SAZJ/GB4-800-50	800	50	1480	141.5	77	4.5	1.1	Y315L ₂ -200
			560-960	55-45					1.3	Y355M-250
									1.6	Y355L ₁ -280
	2	200SAZJ/GB4-800-45	800	45	1480	127.3	77	4.5	1.1	Y315L ₁ -160
			560-960	49-41					1.3	Y315L ₂ -200
									1.6	Y355M-250
	3	200SAZJ/GB3-750-40	750	40	1480	108.9	75	4.5	1.1	Y315M-132
			560-900	44-36					1.3	Y315L ₁ -160
									1.6	Y315L ₂ -200

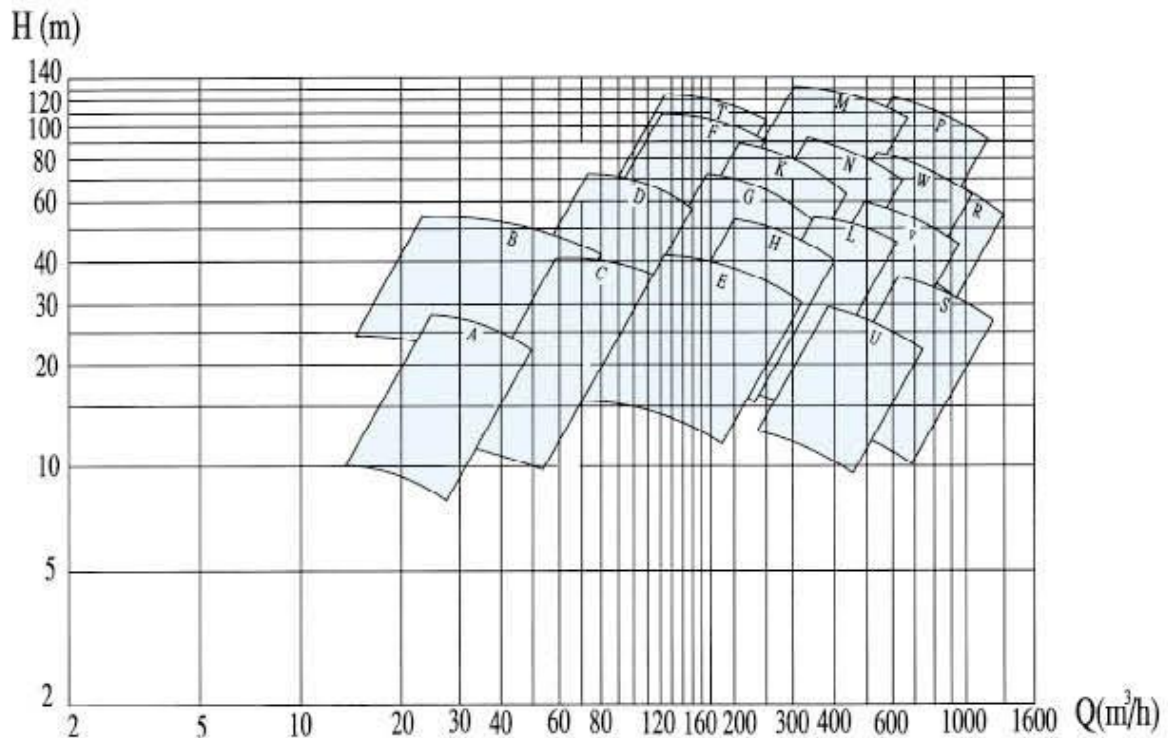
SAZJ 系列渣浆泵 / SAGB 系列工业流程泵主要技术参数表

MAIN TECHNICAL OF SAZJ SLURRY PUMPS/SAGB INDUSTRIAL FLOW PUMPS

类别 Type	序号 No.	规格型号 Specification type NO.	流量 Flow(m ³ /h)	扬程 Lift(m)	转速 Rotating speed (r/min)	轴功率 Shaft power (kw)	效率 Efficiency (%)	必须汽 蚀余量 NPSH _r (m)	浆体比重 Specific weight of pulp body	配用电机功率 Power of matched electromotor (KW)
V	4	200SAZJ/GB3-700-36	700	36	1480	91.5	75	4.5	1.1	Y315M-132
			500-840	39-33					1.3	Y315M-132
									1.6	Y315L ₁ -160
	5	200SAZJ/GB3-650-32	650	32	1480	77.6	73	4.5	1.1	Y315S-110
			460-780	36-29					1.3	Y315M-132
									1.6	Y315L ₁ -160
	6	200SAZJ/GB3-600-30	600	30	1480	70.0	70	4.5	1.1	Y280M-90
			420-720	33-27					1.3	Y315S-110
									1.6	Y315M-132
	7	200SAZJ/GB3-400-25	400	25	980	37.3	73	4.5	1.1	Y280M-55
			280-480	27-22					1.3	Y315S-75
									1.6	Y315S-75
	8	200SAZJ/GB3-600-22	600	22	980	49.2	73	4.5	1.1	Y280M-55
			420-720	24-20					1.3	Y315S-75
									1.6	Y315M-90
	9	200SAZJ/GB3-550-20	550	20	980	41.0	73	4.5	1.1	Y280M-55
			400-660	22-18					1.3	Y315S-75
									1.6	Y315S-75
R	1	250SAZJ/GB5-1000-65	1000	65	980	232.9	76	4.5	1.1	YKK4006-315
			700-1200	69-61					1.3	YKK4502-355
									1.6	YKK4503-400
	2	250SAZJ/GB5-900-60	900	60	980	196.1	75	4.5	1.1	Y355L ₂ -250
			630-1080	65-56					1.3	YKK4006-315
									1.6	YKK4502-355
	3	250SAZJ/GB5-1000-50	1000	50	980	184.0	74	4.5	1.1	Y355L ₁ -220
			700-1200	55-45					1.3	YKK4005-280
									1.6	YKK4006-315
	4	250SAZJ/GB5-850-70	850	70	980	222.0	73	4.5	1.1	YKK4005-280
			680-1020	77-64					1.3	YKK4006-315
									1.6	YKK4503-400
	5	250SAZJ/GB5-800-60	800	60	980	179.1	73	4.5	1.1	Y355L ₁ -220
			560-960	65-56					1.3	Y355L ₂ -250
									1.6	YKK4006-315
	6	250SAZJ/GB5-640-40	640	40	740	94.2	74	4.5	1.1	Y355M ₁ -132
			450-760	44-36					1.3	Y355M ₂ -160
									1.6	Y355L ₂ -200
S	1	250SAZJ/GB3-1000-30	1000	30	1480	110.4	74	4.5	1.1	Y315L ₂ -200
			800-1250	33-27					1.3	Y355M ₁ -220
									1.6	Y355M ₂ -250
	2	250SAZJ/GB3-900-25	900	25	1480	82.8	74	4.5	1.1	Y315L ₁ -160
			735-1150	28-23					1.3	Y315L ₂ -200
									1.6	Y355M ₁ -220
	3	250SAZJ/GB3-880-23	880	23	1480	74.5	74	4.5	1.1	Y315M-132
			700-1100	25-21					1.3	Y315L ₁ -160
									1.6	Y315L ₂ -200
	4	250SAZJ/GB3-660-13	660	13	980	31.6	74	4.5	1.1	Y280M-55
			530-820	14.5-12					1.3	Y315S-75
									1.6	Y315M-90

SAZJ 系列渣浆泵 / SAGB 系列工业流程泵运行特性范围图

OPERATIONAL CHARACTERISTIC AND APPLICABILITY OF SAZJ SLURRY PUMPS/SAGB INDUSTRIAL FLOW PUMPS



SAZJ 系列渣浆泵 / SAGB 系列工业流程泵配用轴承表

SAZJ SLURRY PUMPS/SAGB INDUSTRIAL FLOW PUMPS BEARING TABLE

转子规格 Rotor Spec	泵头端轴承型号 Pump Head Bearing Type	数量 (套) Qty (set)	联轴器端轴承型号 Coupling Bearing Type	数量 (套) Qty (set)
1#	NU2310EM	1	7310BM/DB	2
2#	NU2313EM	1	7312BM/DB	2
3#	NU2317EM	1	7316BM/DB	2
4#	NU2322EM	1	7320BM/DB	2
5#	NU2326EM	1	7326BM/DB	2

SALZS 系列压滤机加压泵

SALZS PRESSURE FILTER-BASED BOOSTER PUMPS

简介

SALZS 系列压滤机加压泵是我公司与有关科研院所合作开发的双级新型压滤机加压专用杂质泵，该系列泵水力模型设计采用

INTRODUCTION TO PRODUCTS

SALZS pressure filter-based booster pump is a new double stage trash pump for pressure filter, developed by our company and scientific research institutes. The hydraulic model of the pump is

国内固、液两相流的最新研究成果，CAD 计算机辅助设计，效率高，运行平稳，更重要的是其流量、扬程曲线陡而合理，特别适合压滤机喂料、扬程在 80 米以上的高压力岗位用泵等。

designed with the latest research achievements of solid and liquid phases at home with computer-aid CAD system, which guarantees the high efficiency, stable operation, especially the curves of the flow and lift are steep and rational. It is applicable for feeding of pressure filters and high pressure places with the lift of more than 80m.

设计特点

- 1、一级叶轮采用前端进料，进料均匀阻力小，运行平稳，通过 U 形弯管送入后端二级叶轮增压，使泵的扬程提高到 80-270 米，且效率比一级后端进料泵提高 4-5%；
- 2、叶轮对称布置：将离心泵的两个叶轮以相反方向对称安装在同一泵轴上，使两个叶轮所产生的轴向力相互抵消，大大提高了轴承体的使用寿命；
- 3、性能曲线较陡，随着入料阻力的变化来实现大流量低压力与小流量高压力的自动转换，特别适合压滤机喂料，高压力岗位用泵等。
- 4、特殊的动力加软填料密封结构和各种机械密封结构，使泵在高压运行及频繁停机时无泄漏，大大提高了使用企业的环保形象。

DESIGN FEATURES

1. The single stage impeller adopts the front-end feeding with lower resistance and stable operation, it will enter the back end second stage impeller for pressure charging through a U-shaped bend pipe, where the lift of the pump is increased to 80-270m, whose efficiency is increased by 4-5% compared to the single stage back end feeding pump.
2. Symmetrical arrangement of impellers: install two impellers of centrifugal pump in adverse direction on the same pump shaft, make the axial forces from two impellers counteract mutually so as to improve the service life of the bearing.
3. Steep performance curve: with the changes of feeding resistance, the automatic shift between large flow with low pressure and small flow with high pressure can be achieved, the product is applicable for feeding of pressure filters and places with high pressure.
4. Special power, soft filling sealing structure and mechanical sealing guarantee that there will be no leakage with the pump running under high pressure and frequent stops, which greatly improve the environmental protection images of the enterprises.

用途

- 1、本系列泵可用作各类压滤机加压喂料用泵，例如：有色金属的锌、铜、钴、镍、锰等湿法冶炼工艺的压滤机配用泵或工艺流程泵，矿山选矿、非金属矿产加工（钛白粉、高岭土等）工艺中的浆体输送泵，环保产业中的污泥、废渣输送泵，其它化工、染料、制药、食品生产工艺中的压滤泵或压力输送泵。
- 2、长期高压运行（泵出口压力高）输送腐蚀性介质的岗位，如烟气脱硫、大气治理中的压力喷淋泵、压力冲洗泵等。

PURPOSES

1. The pumps can be used for feeding under pressure of pressure filters, for example, pressure filters which adopt wet method smelting process for non-ferrous metals such as zinc, copper, cobalt, nickel, manganese and so on or other process flow, and for slurry conveyance in mineral dressing, non-metal mineral process (as white titanium pigment and kaolin), sludge and waste residual conveyance of environmental protection fields, or pressure filter or pressurizing conveyance in other chemical industry, dyeing, pharmaceutical, food process and so on.
2. Places where corrosive medium are conveyed under high pressure for a long time (high pressure at the outlet of pump) include stack-gas desulfurization, sprinkling under pressure and washing under pressure for atmosphere protection.

材料

与介质接触的过流部件，常用材料如下：
KmTBCr26、ZG45Mn2、A49、2Cr13、20 合金钢、低铬合金等。

MATERIAL

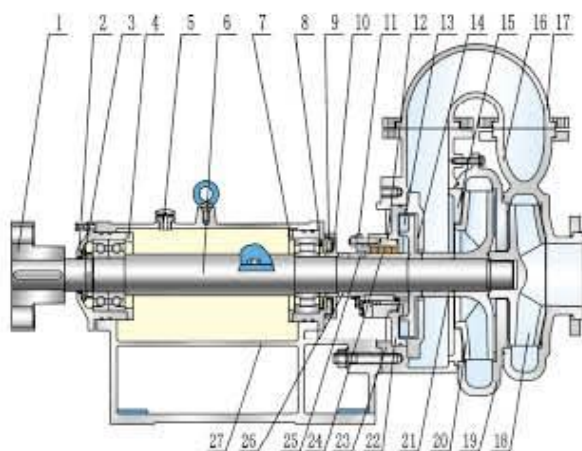
Flow parts contacting medium adopt materials including: KmTBCr26, ZG45Mn2, A49, 2Cr13, 20 alloy steel and low chrome alloy

泵型号举例说明 ILLUSTRATION OF PUMP TYPES



SALZS 系列压滤机加压泵结构图

STRUCTURE DIAGRAM OF SALZS PRESSURE FILTER BOOSTER PUMP



- | | | | | | |
|----------|-----------|----------|--------------------------|----------------------------|----------------------------|
| 1. 泵侧联轴器 | 10. 甩水环 | 19. 二级泵壳 | 1. Coupling at pump side | 10. Throw ring | 19. Second stage pump case |
| 2. 后轴承盒 | 11. 填料压盖 | 20. 二级叶轮 | 2. Back bearing box | 11. Pilling capping | 20. Second stage impeller |
| 3. 后风轮 | 12. 填料室 | 21. 定位套 | 3. Back wind wheel | 12. Filling chamber | 21. Position sleeve |
| 4. 后轴承盖 | 13. 副叶轮 | 22. 副叶轮箱 | 4. Back bearing cap | 13. Accessory impeller | 22. Accessory impeller box |
| 5. 透气盖 | 14. 副叶轮盖板 | 23. 进料体 | 5. Ventilation cover | 14. Accessory impeller box | 23. Feeding body |
| 6. 泵轴 | 15. 护板 | 24. 前轴套 | 6. Pump shaft | 15. Guard sheet | 24. Front shaft lining |
| 7. 前轴承盖 | 16. 一级泵壳 | 25. 后轴套 | 7. Front bearing cap | 16. Single stage pump case | 25. Back shaft lining |
| 8. 前风轮 | 17. 弯管 | 26. 拆卸环 | 8. Front wind wheel | 17. Bend pipe | 26. Disassembly ring |
| 9. 前轴承盒 | 18. 一级叶轮 | 27. 托架 | 9. Front bearing box | 18. Single stage impeller | 27. Bracket |

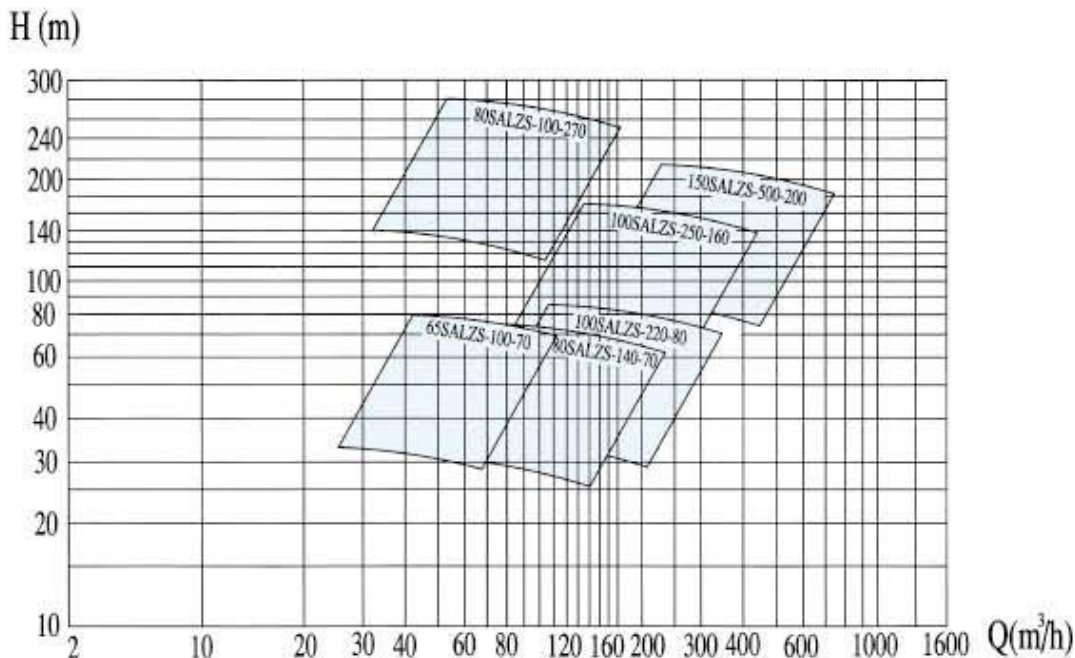
SALZS 系列压滤机加压泵主要技术参数表

MAIN TECHNICAL PARAMETERS OF SALZS PRESSURE FILTER BOOSTER PUMP

规格型号 Specification type NO	流量 Flow (m ³ /h)	扬程 Lift (m)	运行过程参数 Operation parameter			转速 Rotating speed (r/min)	浆体比重 Slurry Proportion	配用功率 Power (KW)
65SALZS-100-70	40-120m ³ /h	80-65m	压滤期 Filtration time	≤ 40m ³ /h	≥ 75m	1480	1.1	Y225M-4-45KW
			入料期 Feeding time	100m ³ /h	70m		1.3	Y250M-4-55KW
80SALZS-140-70	40-200m ³ /h	80-65m	压滤期 Filtration time	≤ 50m ³ /h	≥ 75m	1480	1.1	Y250M-4-55KW
			入料期 Feeding time	140m ³ /h	70m		1.3	Y280S-4-75KW
100SALZS-220-80	60-350m ³ /h	88-70m	压滤期 Filtration time	≤ 70m ³ /h	≥ 85m	1480	1.1	Y280S-4-75KW
			入料期 Feeding time	220m ³ /h	80m		1.3	Y280M-4-90KW
100SALZS-250-160	60-280m ³ /h	175-135m	压滤期 Filtration time	≤ 70m ³ /h	≥ 165m	1480	1.1	Y355M ₁ -4-220KW
			入料期 Feeding time	250m ³ /h	160m		1.3	Y315M-4-280KW
80SALZS-100-270	40-200m ³ /h	280-220m	压滤期 Filtration time	≤ 50m ³ /h	≥ 270m	1480	1.1	Y355L ₁ -4-280KW
			入料期 Feeding time	100m ³ /h	270m		1.3	Y400M ₁ -4-355KW
150SALZS-500-200	300-700m ³ /h	230-200m	压滤期 Filtration time	≤ 300m ³ /h	≥ 220m	1480	1.1	Y450L-4-560KW
			入料期 Feeding time	500m ³ /h	200m		1.3	Y500L-4-710KW

SALZS 系列压滤机加压泵运行特性范围

OPERATIONAL CHARACTERISTIC AND APPLICABILITY OF SALZS PRESSURE FILTER BOOSTER PUMP



SAZF/TP、SAZJ/GB、SALZS 系列泵密封形式与使用范围

SEALING AND APPLICABILITY OF SAZF/TP, SAZJ/GB AND SALZS PUMPS

1、动力密封

A. 动力密封工作原理：

利用背叶片或副叶轮带动密封腔内的液体高速旋转并产生离心力，此力与工作叶轮产生的压力方向相反，以至减小或完全消除导致泄露的压差。

B. 动力密封使用说明：

因为动力密封需靠叶轮背叶片或副叶轮旋转来达到密封，开车时填料不起作用，所以在开动设备前先将填料压盖放松，后启动设备，以防填料烧损，设备停车时应调整填料压盖进行调整，达到无泄漏。当进口压力超过 0.15MPa 时此种密封的效果不甚理想，建议采用机械密封或特殊密封。

1.POWER SEAL

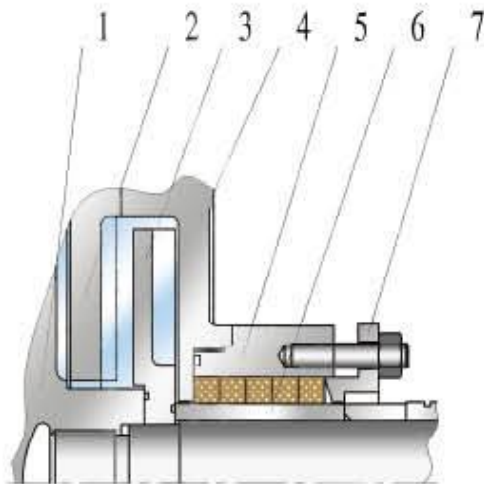
A. Operating principle of power seal:

It makes use of back blades or auxiliary impellers which drive the liquor inside the seal chamber to rotate at a high speed and generate a centrifugal force, the centrifugal force is opposite to the pressure direction generated by the operating blades till reduction or complete elimination of pressure difference resulting in leakage.

B. Operating Instructions of Power Seal

For the power seal reaches the purpose of seal depending on the rotation of back blades of impeller or auxiliary impeller and the padding does not react while operating, the pressure gland of padding is loosened before starting the equipment which then is started to prevent from burning loss of padding, the pressure gland of padding shall be adjusted when the equipment stops so as to realize no leakage. The sealing effect is not very ideal when the inlet pressure exceeds 0.15MPa, then a mechanical seal or special seal is recommended.

C. 动力密封示意图 Diagram of Power Seal



- | | |
|---------|------------------------------|
| 1. 叶轮 | 1. Blade wheel |
| 2. 后护板 | 2. Rear liner plate |
| 3. 副叶轮 | 3. Secondary blade wheel |
| 4. 副叶轮箱 | 4. Secondary blade wheel box |
| 5. 填料室 | 5. Stuffing chamber |
| 6. 前轴套 | 6. Front axle housing |
| 7. 填料压盖 | 7. Stuffing box gland |

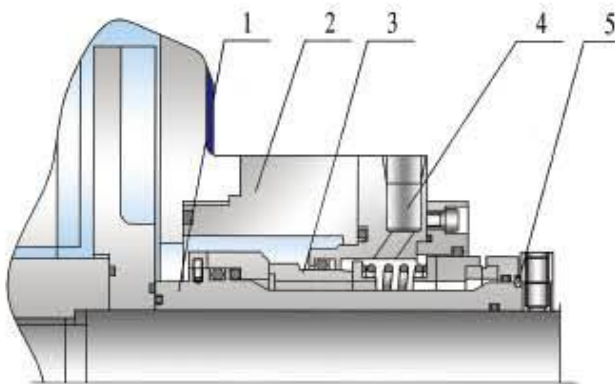
2、机械密封

机械密封是一种先进的轴封结构，具有泄漏量小，功耗低，寿命长等优点。本系列泵根据用户介质情况，可以配单端面集装式外注水型、单端面集装式不注水型、双端面集装式外注水型，三种型式机械密封。

Mechanical seal is an advanced shaft seal structure, with such advantages as small leakage, low power consumption, long lifetime and so on. The series of pumps can be equipped with such three-style mechanical seals including external single terminal assembly-style water infusion, single terminal assembly-style non-water infusion and external double terminal assembly-style water infusion.

A. 双端面集装式外注水机械密封示意图

Schematic Diagram of External Double Terminal Assembly-Style Water Infusion Mechanical Seal



- | | |
|---------|--------------------------------|
| 1. 机封轴套 | 1. Mechanical-seal axle sleeve |
| 2. 机封腔 | 2. Mechanical sealing chamber |
| 3. 机械密封 | 3. Mechanical seal |
| 4. 压盖 | 4. Pressure gland |
| 5. 分瓣环 | 5. Split ring |

结构特点:

1. 双端面整体集装式，安装方便，可双向转动，单弹簧。

2. 轴封液水压力 0.1~0.2MPa，且封液应低进高出。

适用范围:

介质：含固体颗粒及结晶性液体（浓度 ≤ 40%）；压力 ≤ 3MPa；温度 ≤ 130℃；线速度 ≤ 10m/s。

Structural characteristics:

1. The double end face integral assembly, it is installed easily and can be rotated towards two directions with single spring.

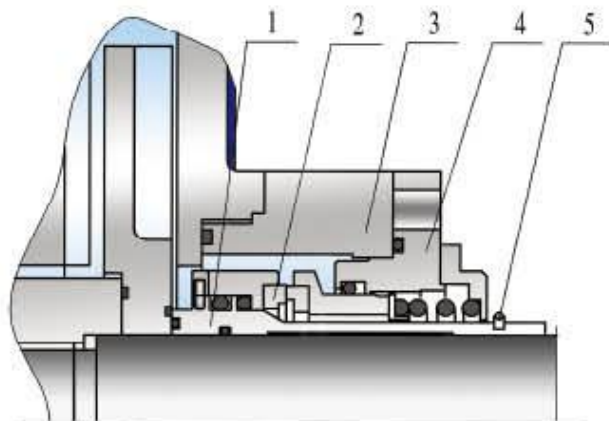
2. The hydraulic pressure of the axle seal totals 0.1~0.2MPa, and the seal liquor shall enter lowly and rush highly.

Range of application:

Medium: solid particles and crystalline liquor contained (concentration ≤ 40%), pressure ≤ 3MPa, temperature ≤ 130℃, linear velocity ≤ 10m/s.

B. 单端面集装式不注水机械密封示意图

Schematic Diagram of Single Terminal Assembly-Style Non-Water Infusion Mechanical Seal



- | | |
|---------|--------------------------------|
| 1. 机封轴套 | 1. Mechanical-seal axle sleeve |
| 2. 机械密封 | 2. Mechanical seal |
| 3. 机封腔 | 3. Mechanical sealing chamber |
| 4. 压盖 | 4. Pressure gland |
| 5. 分瓣环 | 5. Split ring |

结构特点:

单端面整体集装式, 安装方便, 可双向转动, 单弹簧, 无冲洗水。

适用范围:

介质: 含固体颗粒及结晶性液体 (浓度 $\leq 30\%$); 压力 $\leq 2.5\text{MPa}$; 温度 $\leq 80^\circ\text{C}$; 线速度 $\leq 10\text{m/s}$ 。

Structural characteristics:

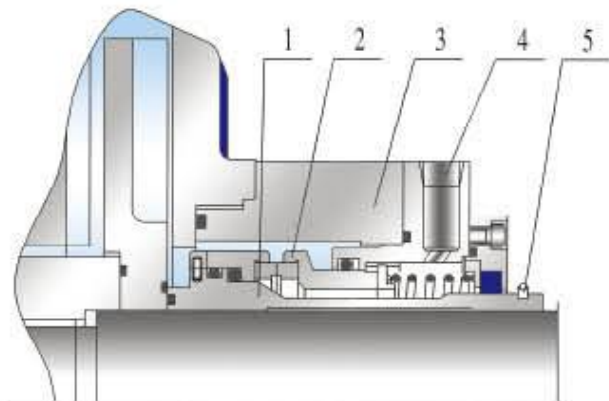
The single terminal integral assembly-style mechanical seal is installed conveniently and can be rotated towards two directions, with single spring and no washing water.

Range of application:

Medium; solid particles and crystalline liquor contained (concentration $\leq 30\%$), pressure $\leq 2.5\text{MPa}$, temperature $\leq 80^\circ\text{C}$, linear velocity $\leq 10\text{m/s}$.

C. 单端面集装式外注水机械密封示意图

Schematic diagram of external single terminal assembly-style water infusion



- | | |
|---------|--------------------------------|
| 1. 机封轴套 | 1. Mechanical-seal axle sleeve |
| 2. 机械密封 | 2. Mechanical seal |
| 3. 机封腔 | 3. Mechanical sealing chamber |
| 4. 压盖 | 4. Pressure gland |
| 5. 分瓣环 | 5. Split ring |

结构特点:

1. 单端面整体集装式, 安装方便, 可双向转动, 单弹簧。
2. 外冲洗, 冲洗水压力不宜过大 ($\leq 0.1\text{MPa}$), 保持冲洗水畅通无阻不间断。

适用范围:

介质: 含固体颗粒及结晶性液体 (浓度 $\leq 40\%$); 压力 $\leq 3\text{MPa}$; 温度 $\leq 130^\circ\text{C}$; 线速度 $\leq 10\text{m/s}$ 。

Structural characteristics:

1. As for the single terminal integral assembly-style mechanical seal is installed conveniently, and can be rotated towards two directions with single spring.
2. In case of the external washing, the washing water pressure shall not exceed 0.1MPa so that the washing water is unlocked and uninterrupted.

Range of application:

Medium; solid particles and crystalline liquor contained (concentration $\leq 40\%$), pressure $\leq 3\text{MPa}$, temperature $\leq 130^\circ\text{C}$, linear velocity $\leq 10\text{m/s}$.

SAZF/TP、SAZJ/GB、SALZS 系列泵的安装和操作指导

INSTALLATION AND OPERATING INSTRUCTIONS OF SAZF/TP, SAZJ/GB AND SALZS PUMP

泵的安装、操作

- (1)、安装使用前,请仔细阅读《安装、使用、维护》手册。
- (2)、管道重量必须另外支撑,泵不得承受管道的重量和其他扭力。
- (3)、46# 润滑油油量应控制在油窗两油位线之间。每运行 1500 小时,需要更换润滑油。
- (4)、对新安装的管路和储罐应冲洗干净,防止有固体物质进入机械密封影响密封效果和寿命。开车前用手盘动联轴器,如在安装过程中产生卡死现象和碰撞异常情况应先排除。
- (5)、冷却冲洗液应是干净的、不结垢的。易结垢的水质会堵塞冷却冲洗液通路,影响密封的使用效果和寿命。用冷凝水作密封冲洗液效果是理想的,温度应 $< 85^{\circ}\text{C}$ 。
- (6)、启动前先接通冷却冲洗液,停车时应先停车再关闭冷却冲洗液。
- (7)、开机前注意泵的旋转方向,勿开倒车。关机前应先关闭出口阀门,防止反转。
- (8)、不允许用吸入管路的阀门来调节流量,以免发生汽蚀。
- (9)、根据输送介质黏度不同,机械密封在轴径大于 $\phi 50\text{mm}$ 时其允许有 $\leq 5\text{ml/h}$ 的泄漏,轴径小于 $\phi 50\text{mm}$ 时其允许有 $\leq 3\text{ml/h}$ 的泄漏。
- (10)、应经常检查冷却冲洗液的流动情况,如一旦发现断冷却冲洗液时,不要马上加水,应停机待机械密封冷却后再加水,以免机械密封受热胀冷缩而损坏,冷却冲洗液的温升在 20°C 以内是正常的。
- (11)、泵不应当在小于泵设计流量 $1/3$ 时长期运转。如果必须在该条件下连续运转,则应在泵的出口安装旁通管,使泵的流量达到规定的使用范围。
- (12)、当系统需长时间停车时,应对泵全面的清洗,清除残留的腐蚀液,防止结晶。

INSTALLATION AND OPERATION OF PUMP

- (1) Before installation and use, please read the Manual of Installation, Use and Maintenance carefully.
- (2) The weight of the pipeline must be supported additionally, and the pump shall not bear the pipelines and other twisting forces.
- (3) The volume of 46# lubricant shall be controlled between two lubricant levels of the lubricant window. The lubricant needs to be replaced per 1500h after running.
- (4) The pipelines and storage tanks installed currently shall be washed cleanly to prevent from solid substances which enter the mechanical seal and influence the seal effect and its lifetime. Before starting, the joint slack shall be moved by hands, the abnormal phenomena such as blockage and scuffing during installation shall be eliminated in advance.
- (5) The condensed washing liquor shall be clean without incrustation. The water with easy incrustation can block the passage of the condensed washing liquor, which can influence the use effect and lifetime of the seal. The condensed water is used for sealing the washing liquor, which is ideal, and the temperature shall be less than 85°C .
- (6) The condensed washing liquor shall be energized before starting, and the equipment can not be stopped till close of the condensed washing liquor.
- (7) Before starting, the rotating direction of the pump shall be regarded without reverse starting. The outlet valve shall be closed before closing so as to prevent from reverse rotation.
- (8) The valves absorbed into the pipelines shall not be used to adjust the flow capacity to prevent from cavitation erosion.
- (9) According to the different viscosities of mediums transported, the leakage ($\leq 5\text{ml/h}$) shall be allowed when the axial diameter of the mechanical seal is more than $\phi 50\text{mm}$, and that ($\leq 3\text{ml/h}$) shall be allowed when the axial diameter is less than $\phi 50\text{mm}$.
- (10) The flow conditions of the condensed washing liquor shall be checked regularly, once the condensed washing liquor breaks, water shall not be added immediately until the mechanical seal is cooled after stop, to prevent that the mechanical seal will be damaged by the expansion on heating and contraction on cooling, and the temperature rise of the condensed washing liquor is normal within 20°C .
- (11) The pump with less than $1/3$ of the designed flow capacity shall not run for a long time. If the continuous running is necessary under this condition, a bypass passage shall be installed at the outlet of the pump in order that the flow capacity of the pump reaches the range of application specified.
- (12) When the system needs to be stopped for a long time, the integral pump shall be cleaned and the residual corrosive liquor shall be removed to prevent from crystallization.

SAYL 系列液下渣浆泵

SAYL SUBMERSIBLE SLURRY PUMPS

简介

SAYL 系列液下渣浆泵为立式离心渣浆泵，浸入液下，用于输送磨蚀性、粗颗粒、高浓度渣浆。密封型式有两种：一、不需要任何轴封和轴封水，能正常工作；二、为了提高液下深度，另增加轴套和填料室，采用盘根密封，增长下吸管，使泵在液面低于叶轮时能正常输送。该系列泵采用独特的叶轮结构，使泵高效节能，无泄漏，寿命长，广泛应用于石油、化工、制药、造纸、冶金、污水处理等行业。

设计特点

- 1、采用独特的大通道叶轮结构，大大提高了污物通过能力，能有效的通过泵口径 5 倍长的纤维物质与直径为泵口约 50% 的固体颗粒；
- 2、泵为立式结构，整体结构设计合理，外形美观，噪音小，直接安装在被输送介质的储存器上，无额外占地面积，从而降低了基建投入；
- 3、工作时泵体浸没在液体中，因而很容易启动，不存在抽气排空问题，同时具有无泄漏等特点，液下深度可达 0.5-6m；
- 4、节能效果显著，结构简单，检修方便；

用途

适用于化工、石油化工、制药、采矿、造纸工业、水泥厂、炼钢厂、电厂、煤加工工业以及城市污水处理厂排水系统、市政工程、建筑工地等行业，输送带颗粒的污水、污物，也可用于抽送清水及带腐蚀性介质。

材料

与介质接触的过流部件，常用材料如下：
KmTBCr26、ZG45Mn2、A49、2Cr13、20 合金钢、低铬合金等。

INTRODUCTION

SAYL submersible slurry pumps are upright centrifugal pump, which can be used for conveyance of slurries of high abrasion, rough particles and high concentration. Sealing type: I. It needs no any shaft seal and shaft seal water for normal operation, II. In order to increase the submersible depth, shaft sleeve and filling chambers are added, it adopts packing sealing, increasing the down suction pipe, and guarantees the pump to convey well the liquid level is below the impeller. The pumps adopts unique impeller structure for high efficiency, energy saving, no leakage, long service life and so on, the products have been widely used in petroleum, chemical industry, pharmaceutical, paper making, metallurgy and sewage treatment.

DESIGN CHARACTERISTICS

1. The product adopts unique wide channel impeller to increase the transmission of sewage, and it can convey fiber material 5 times long of pump caliber and solid particles with diameter of about 50% of the pump outlet;
2. Upright structure, the pump is designed rationally with sound appearance and low noise, which can be installed directly on the receiver of medium to convey, and cover no additional area so as to reduce the investment in infrastructure;
3. The pump can be dipped into the liquid completely in operation, so it is easy for start, and there are air extraction or exhaust, meanwhile, it has no any leakage, and the submersible depth can reach 0.5-6m;
4. Sound energy saving, simple structure, and easy for repair;

PURPOSES

The products are applicable for chemical industry, petroleum engineering, pharmaceutical, mining, paper making, cement plants, steel plants, power plants, coal process industry, urban sewage treatment plant (drainage system), municipal projects, construction sites to convey sewage or trash with particles, meanwhile, the products can be used for conveyance of clean water and corrosive medium.

MATERIALS

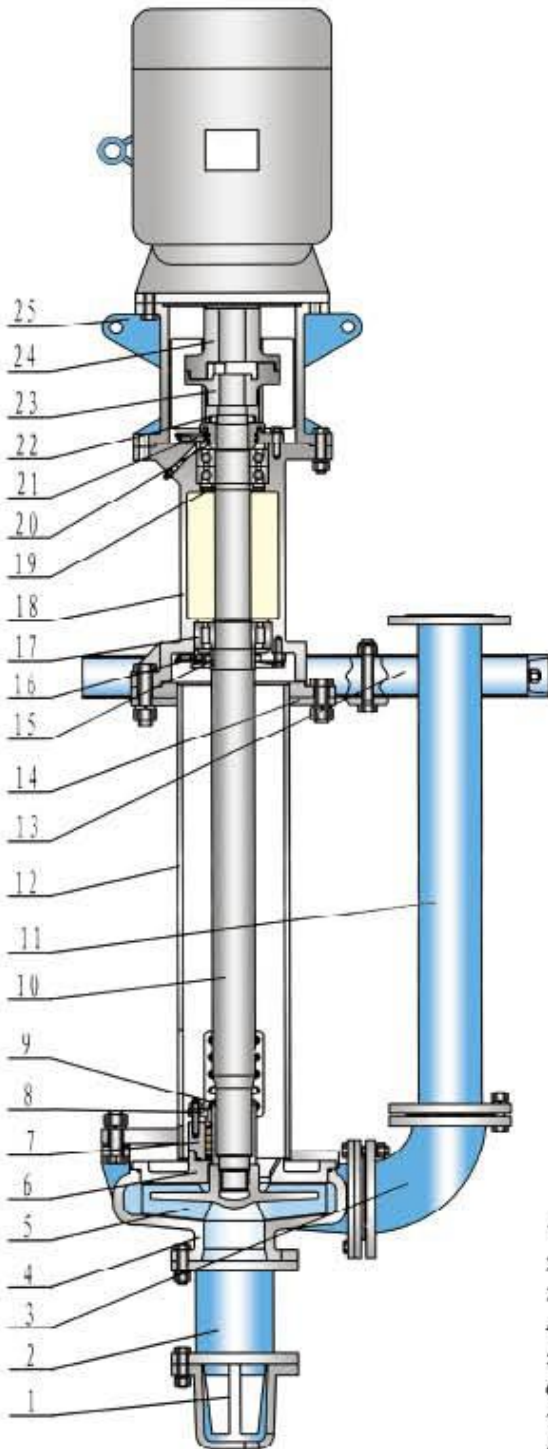
Flow parts contacting medium adopt materials including: KmTBCr26, ZG45Mn2, A49, 2Cr13, 20 alloy steel, low chrome alloy and so on.

型号及意义 TYPE AND MEANING



SAYL 系列液下渣浆泵结构图

STRUCTURE DIAGRAM OF SAYL SUBMERSIBLE SLURRY PUMPS



- | | | |
|---------|----------|-----------|
| 1. 下滤网 | 10. 泵轴 | 19. 挡油环 |
| 2. 下吸管 | 11. 排出管 | 20. 迷宫套 |
| 3. 弯头 | 12. 支架 | 21. 后轴承盖 |
| 4. 泵壳 | 13. 安装板 | 22. 圆螺母 |
| 5. 叶轮 | 14. 连接盘 | 23. 泵侧联轴器 |
| 6. 后泵盖 | 15. 短轴套 | 24. 机侧联轴器 |
| 7. 填料室 | 16. 前轴承盖 | 25. 电机座 |
| 8. 填料压盖 | 17. 轴承 | |
| 9. 轴套 | 18. 轴承体 | |

- | | | |
|----------------------|------------------------|------------------------------|
| 1. Down filter cloth | 10. Pump shaft | 19. Oil ring |
| 2. Down suction pipe | 11. Discharge pipe | 20. Labyrinth bushing |
| 3. Pipe bend | 12. Bracket | 21. Back bearing cap |
| 4. Pump case | 13. Mounting panel | 22. Round nut |
| 5. Impeller | 14. Connecting plate | 23. Coupling at pump side |
| 6. Back pump cap | 15. Short shaft sleeve | 24. Coupling at machine side |
| 7. Filling chamber | 16. Front bearing cap | 25. Motor cabinet |
| 8. Filling capping | 17. Shaft | |
| 9. Shaft sleeve | 18. Shaft body | |

SAYL 系列液下渣浆泵主要技术参数表

MAIN TECHNICAL PARAMETER OF SAYL SUBMERSIBLE SLURRY PUMPS

类别 Type	序号 No.	规格型号 Specification type NO.	流量 Flow(m ³ /h)	扬程 Lift (m)	转速 Rotating speed (r/min)	轴功率 Shaft power (kw)	效率 Efficiency (%)	必须汽 蚀余量 NPSH _r (m)	浆体比重 Specific weight of pulp body	配用电动机功率 Power of matched electromotor (KW)
A	1	40SAYL-20-20	20	20	1440	2.7	40	2.2	1.1	Y112M-4
			7-24	22-18					1.3	Y132S-5.5
									1.6	Y132M-7.5
	2	40SAYL-20-15	20	15	1420	2.1	39	2.2	1.1	Y100L ₂ -3
			7-24	16-12					1.3	Y112M-4
									1.6	Y132S-5.5
	3	40SAYL-10-20	10	20	1420	1.4	38	2.2	1.1	Y100L ₂ -3
			7-12	22-18					1.3	Y112M-4
									1.6	Y132S-5.5
B	1	50SAYL-40-25	40	25	1460	5.7	48	2.4	1.1	Y132M-7.5
			28-48	27.5-22.5					1.3	Y160M-11
									1.6	Y160M-11
	2	50SAYL-36-22	36	22	1460	4.7	46	2.4	1.1	Y132M-7.5
			25-42	24-20					1.3	Y160M-11
									1.6	Y160M-11
	3	50SAYL-32-18	32	18	1440	3.6	43	2.4	1.1	Y132S-5.5
			22-38	20-16					1.3	Y132M-7.5
									1.6	Y132M-7.5
	4	50SAYL-25-10	25	10	960	1.6	43	2.4	1.1	Y112M-2.2
			18-30	12-8					1.3	Y132S-3
	5	50SAYL-15-10	15	10	960	1.0	40	2.4	1.1	Y100L-1.5
			10-18	12-8					1.3	Y112M-2.2
									1.6	Y132S-3
	C	1	50SAYL-50-40	50	40	1470	12.1	45	3.0	1.1
35-60				44-36	1.3					Y180L-22
					1.6					Y200L-30
2		50SAYL-45-32	45	32	1470	9.3	42	3.0	1.1	Y160L-15
			31-54	35-29					1.3	Y180M-18.5
									1.6	Y180L-22
3		50SAYL-30-40	30	40	1470	8.2	40	3.0	1.1	Y160M-11
			21-36	44-36					1.3	Y160L-15
									1.6	Y180M-18.5
4		50SAYL-30-32	30	32	1460	6.7	39	3.1	1.1	Y160M-11
			21-36	35-29					1.3	Y160L-15
									1.6	Y180M-18.5
5		50SAYL-30-18	30	18	970	3.7	40	3.0	1.1	Y132M ₂ -5.5
			21-36	20-16					1.3	Y160M-7.5
									1.6	Y160M-7.5
D	1	80SAYL-70-35	70	35	1470	10.8	62	3.2	1.1	Y160L-15
			50-84	37-32					1.3	Y180M-18.5
									1.6	Y180L-22
	2	80SAYL-70-30	70	30	1470	9.4	61	3.2	1.1	Y160M-11
			50-84	32-26					1.3	Y160L-15
									1.6	Y180M-18.5
	3	80SAYL-60-26	60	26	1460	7.0	61	3.2	1.1	Y160M-11
			42-72	28-24					1.3	Y160L-15
									1.6	Y180M-18.5
	4	80SAYL-45-15	45	15	970	3.2	58	3.2	1.1	Y132M ₂ -4
			30-55	16.5-13					1.3	Y132M ₂ -5.5
									1.6	Y160M-7.5
F	1	80SAYL-120-65	120	65	1470	31.2	68	3.5	1.1	Y225M-45
			80-150	69-61					1.3	Y250M-55
									1.6	Y280S-75

SAYL 系列液下渣浆泵主要技术参数表

MAIN TECHNICAL PARAMETER OF SAYL SUBMERSIBLE SLURRY PUMPS

类别 Type	序号 No.	规格型号 Specification type NO.	流量 Flow(m ³ /h)	扬程 Lift(m)	转速 Rotating speed (r/min)	轴功率 Shaft power (kw)	效率 Efficiency (%)	必须汽 蚀余量 NPSH, (m)	浆体比重 Specific weight of pulp body	配用电动机功率 Power of matched electromotor (KW)
F	2	80SAYL-100-60	100	60	1480	26.4	62	3.5	1.1	Y225S-37
			70-120	65-55					1.3	Y225M-45
	3	80SAYL-90-55	90	55	1480	22.0	61	3.5	1.1	Y200L-30
			56-108	60-51					1.3	Y225S-37
									1.6	Y225M-45
	4	80SAYL-100-50	100	50	1480	22.7	60	3.5	1.1	Y200L-30
			70-120	54-46					1.3	Y225S-37
	5	80SAYL-85-45	85	45	1470	17.4	60	3.5	1.1	Y180L-22
			60-102	49-41					1.3	Y200L-30
									1.6	Y225S-37
	6	80SAYL-65-26	65	26	970	9.0	51	3.5	1.1	Y160L-11
			45-78	28-23					1.3	Y180L-15
	7	80SAYL-50-20	50	20	960	5.4	50	3.5	1.1	Y160M-7.5
			35-60	22-18					1.3	Y160L-11
				1.6					Y160L-11	
E	1	100SAYL-100-32	100	32	1470	13.4	65	3.2	1.1	Y180M-18.5
			70-120	35-28					1.3	Y180L-22
	2	100SAYL-100-25	100	25	1470	10.6	64	3.2	1.1	Y160L-15
			70-120	27-22					1.3	Y180M-18.5
									1.6	Y180L-22
	3	100SAYL-90-22	90	22	1470	9.0	60	3.2	1.1	Y160L-15
			63-108	24-20					1.3	Y180M-18.5
	4	100SAYL-160-25	160	25	1470	16.8	65	3.2	1.1	Y180L-22
			112-190	27-22					1.3	Y200L-30
									1.6	Y225S-37
5	100SAYL-130-16	130	16	1460	9.4	60	3.2	1.1	Y160L-15	
		90-155	17.5-13.5					1.3	Y180M-18.5	
L	1	150SAYL-300-25	300	25	1480	26.5	77	3.3	1.1	Y225S-37
			210-360	28-23					1.3	Y225M-45
									1.6	Y250M-55
	2	150SAYL-300-21	300	21	1480	22.9	75	3.3	1.1	Y200L-30
			210-360	23-19					1.3	Y225S-37
	3	150SAYL-250-18	250	18	1480	17.0	72	3.3	1.1	Y180L-22
			180-300	20-16					1.3	Y200L-30
									1.6	Y225S-37
	4	150SAYL-200-11	200	11	960	8.6	70	3.3	1.1	Y160L-11
			140-240	12-9					1.3	Y180L-15
									1.6	Y200L-18.5
	M	1	150SAYL-300-48	300	48	1480	53.0	74	3.3	1.1
210-360				52-42	1.3					Y280M-90
					1.6					Y315S-110
2		150SAYL-300-42	300	42	1480	46.4	74	3.3	1.1	Y280S-75
			210-360	46-38					1.3	Y280S-75
3		150SAYL-250-40	250	40	1480	36.8	74	3.3	1.1	Y250M-55
			190-300	44-36					1.3	Y280S-75
									1.6	Y280S-75

SAYL 系列液下渣浆泵主要技术参数表

MAIN TECHNICAL PARAMETER OF SAYL SUBMERSIBLE SLURRY PUMPS

类别 Type	序号 No.	规格型号 Specification type NO.	流量 Flow(m ³ /h)	扬程 Lift(m)	转速 Rotating speed (r/min)	轴功率 Shaft power (kw)	效率 Efficiency (%)	必须汽 蚀余量 NPSH _r (m)	浆体比重 Specific weight of pulp body	配用电机功率 Power of matched electromotor (KW)
M	4	150SAYL-300-30	300	30	1480	33.6	73	3.3	1.1	Y225M-45
			210-360	33-27					1.3	Y250M-55
									1.6	Y250M-55
	5	150SAYL-200-32	200	32	1480	24.5	71	3.3	1.1	Y225S-37
			140-240	35-29					1.3	Y225M-45
									1.6	Y250M-55
	6	150SAYL-200-21	200	21	980	16.8	68	3.3	1.1	Y200L ₂ -22
			140-240	23-19					1.3	Y225M-30
									1.6	Y250M-37
	7	150SAYL-200-18	200	18	980	14.9	66	3.3	1.1	Y200L ₁ -18.5
			140-240	20-16					1.3	Y200L ₂ -22
									1.6	Y225M-30
	8	150SAYL-150-18	150	18	980	11.1	66	3.3	1.1	Y180L-15
			110-180	20-16					1.3	Y200L ₁ -18.5
									1.6	Y200L ₂ -22
G	1	150SAYL-320-32	320	32	980	41.6	67	3.6	1.1	Y250M-55
			220-380	35-29					1.3	Y280S-75
									1.6	Y280S-75
	2	150SAYL-300-27	300	27	980	33.4	66	3.6	1.1	Y225M-45
			210-360	30-24					1.3	Y250M-55
									1.6	Y280S-75
	3	150SAYL-400-28	400	28	980	45.5	67	3.6	1.1	Y280S-75
			280-460	30-26					1.3	Y280S-75
									1.6	Y280M-90
	4	150SAYL-400-20	400	20	980	33.0	66	3.6	1.1	Y225M-45
			280-460	22-17					1.3	Y250M-55
									1.6	Y280S-75
H	1	200SAYL-500-40	500	40	980	78.9	69	4.5	1.1	Y315S-110
			350-600	43-36					1.3	Y315M-132
									1.6	Y315L ₁ -160
	2	200SAYL-400-40	400	40	980	65.0	67	4.5	1.1	Y280M-90
			280-480	43-36					1.3	Y315S-110
									1.6	Y315M-132
	3	200SAYL-600-35	600	35	980	84.1	68	4.5	1.1	Y315S-110
			420-710	38-31					1.3	Y315M-132
									1.6	Y315L ₁ -160
	4	200SAYL-600-30	600	30	980	72.1	68	4.5	1.1	Y280M-90
			420-710	33-27					1.3	Y315S-110
									1.6	Y315M-132
	5	200SAYL-600-25	600	25	980	61.0	67	4.5	1.1	Y280S-75
			420-710	27-22					1.3	Y280M-90
									1.6	Y315S-110
K	1	250SAYL-1000-32	1000	32	980	116.2	75	5.5	1.1	Y355M ₁ -160
			700-1200	35-29					1.3	Y355M ₂ -200
									1.6	Y355M ₃ -220
	2	250SAYL-900-28	900	28	980	92.7	74	5.5	1.1	Y315M-132
			630-1080	30-25					1.3	Y355M ₁ -160
									1.6	Y355M ₂ -200
	3	250SAYL-800-25	800	25	980	74.6	73	5.5	1.1	Y315S-110
			560-960	27-22					1.3	Y315M-132
									1.6	Y355M ₁ -160



扫描二维码 关注公司最新动态

河南博奥泵业有限公司

HENAN BOAO PUMP INDUSTRY CO.,LTD

地址：郑州市上街区阀门产业园-锦江南路

电话：0371-63279996 63279997 63279998

传真：0371-63279995

网址：www.suaop.com

邮箱：susop@126.com

邮编：450041

Add: valve industry park-jinjiang-south road,
shangjie district, zhengzhou city

Tel: 0371-63279996 63279997 63279998

Fax: 0371-63279995

Http: [//www.suaop.com](http://www.suaop.com)

E-mail: suaop@126.com

Post-code: 450041